

Makita[®]

Compound Miter Saw

Instruction Manual

Gehrungs- und Kappsäge

Betriebsanleitung

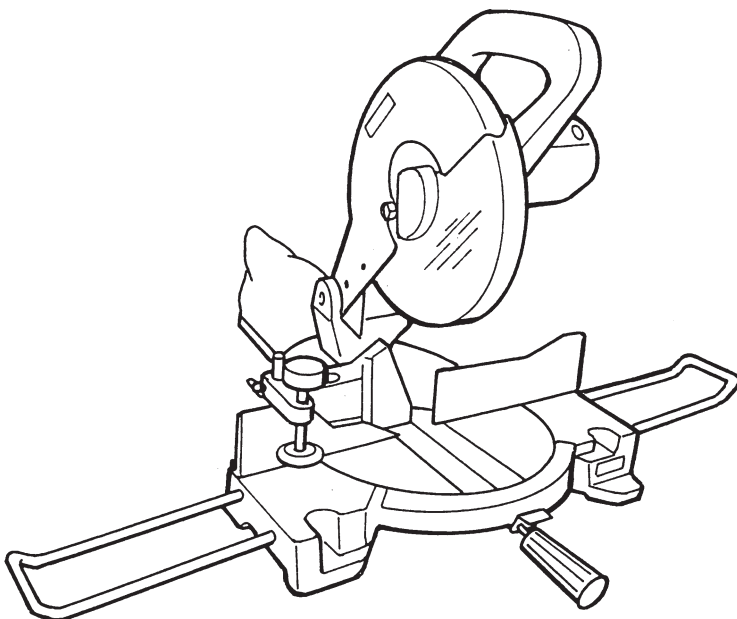
Ukośnica

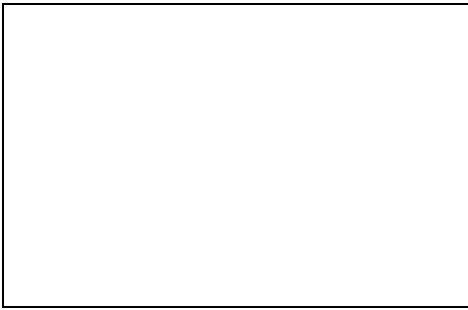
Instrukcja obsługi

Пила для составной отрезки

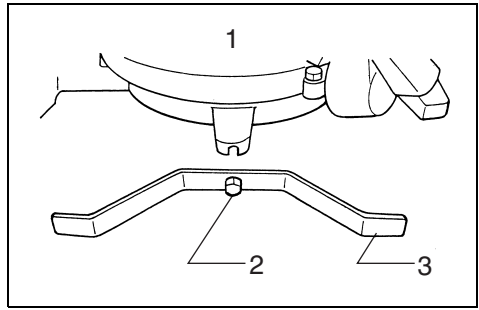
Инструкция по эксплуатации

LS1040

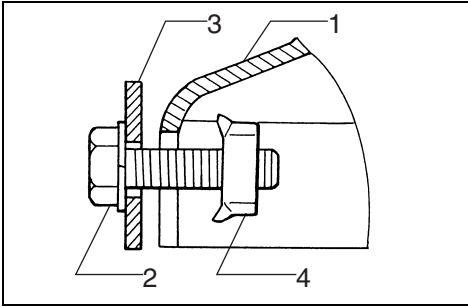




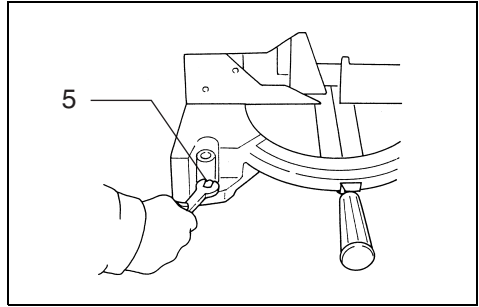
1



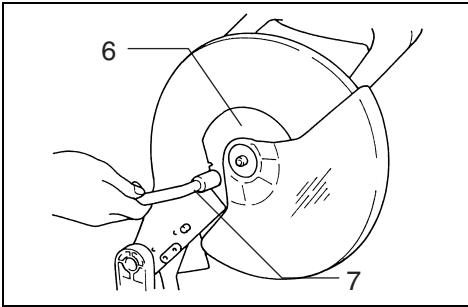
2



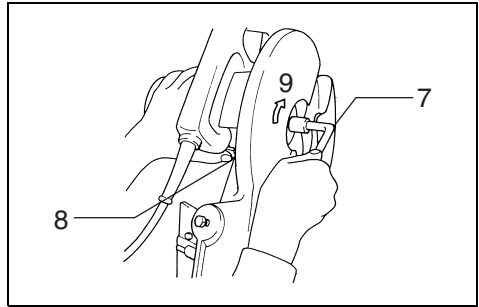
3



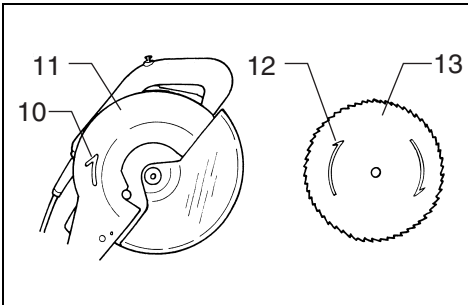
4



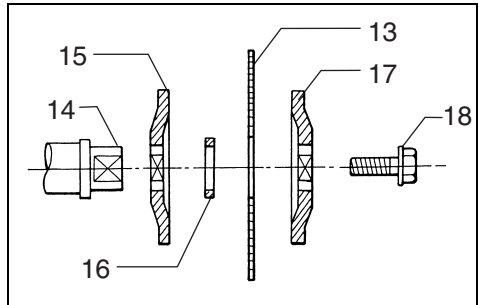
5



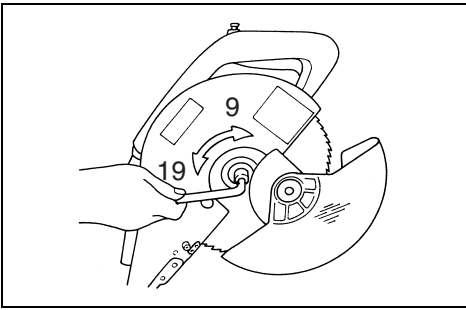
6



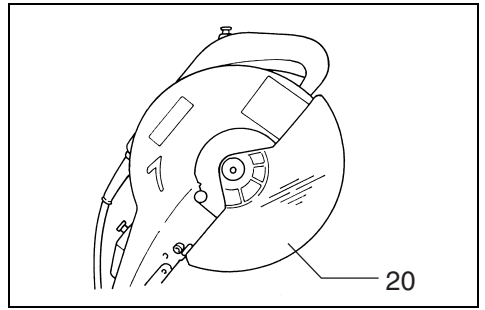
7



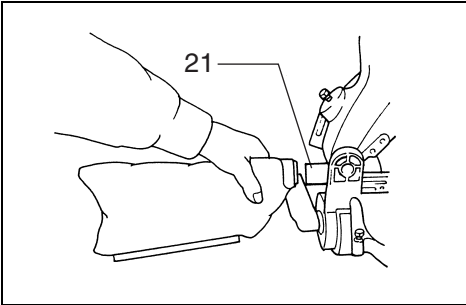
8



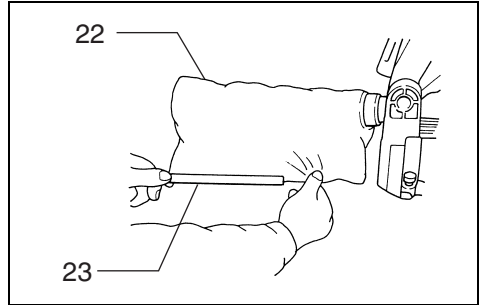
9



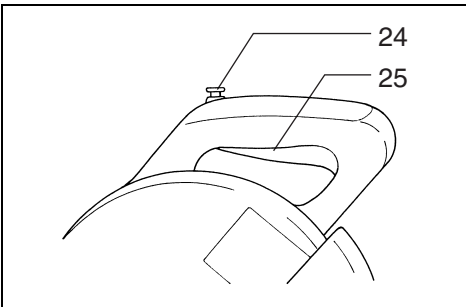
10



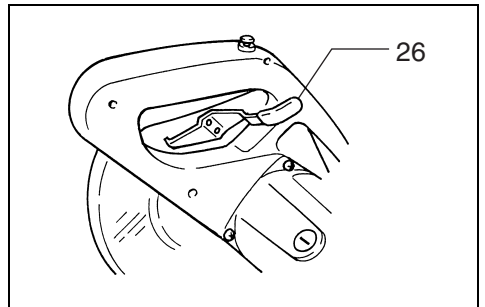
11



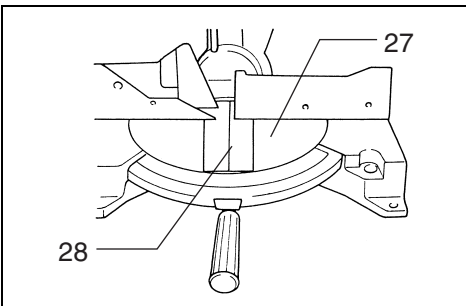
12



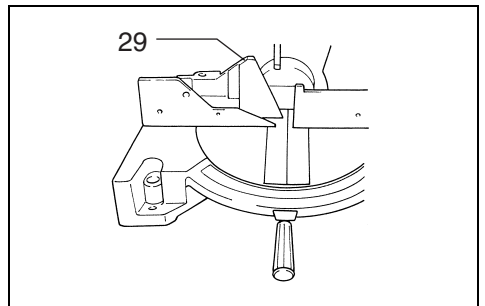
13



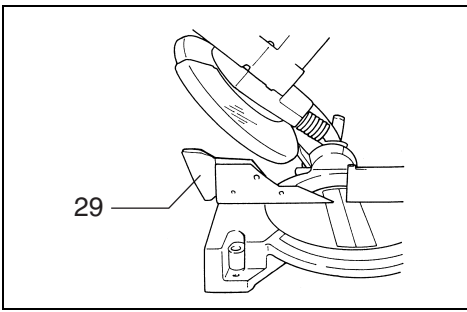
14



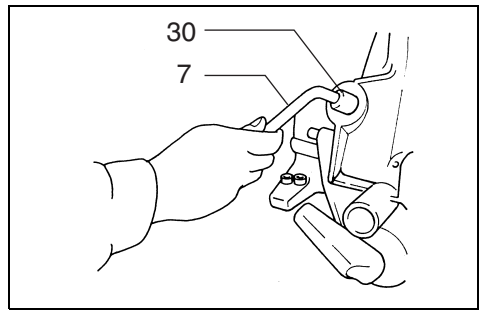
15



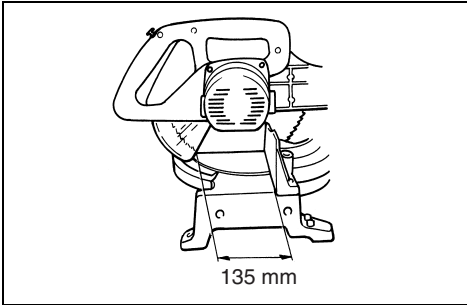
16



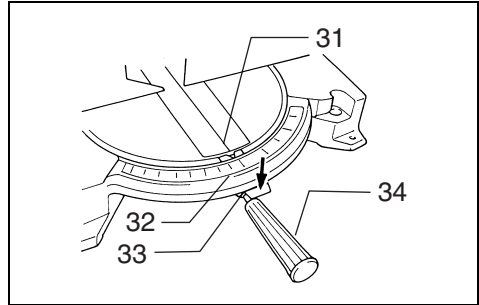
17



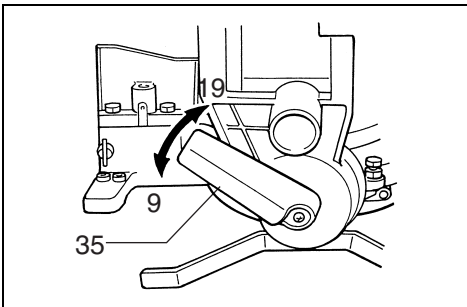
18



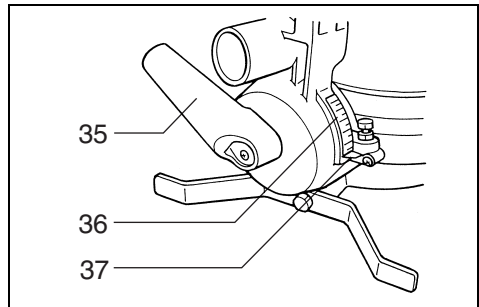
19



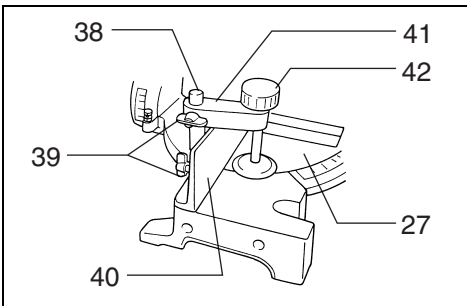
20



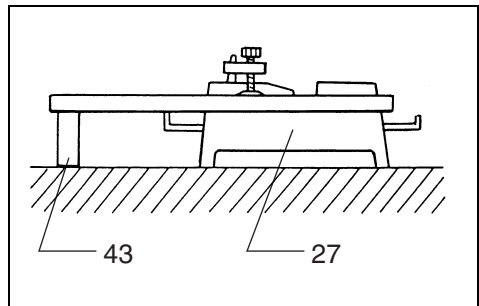
21



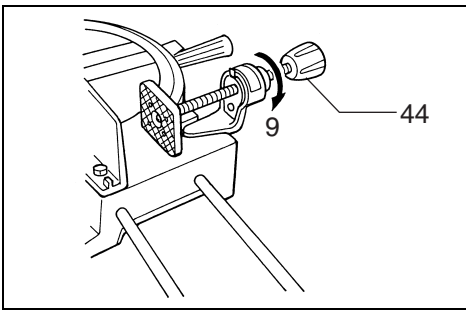
22



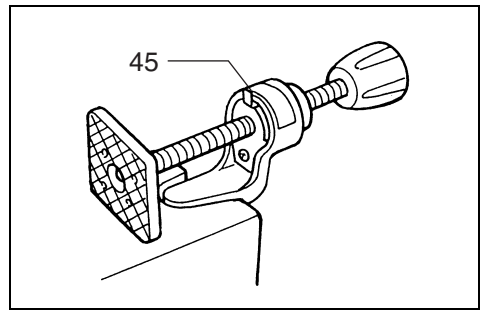
23



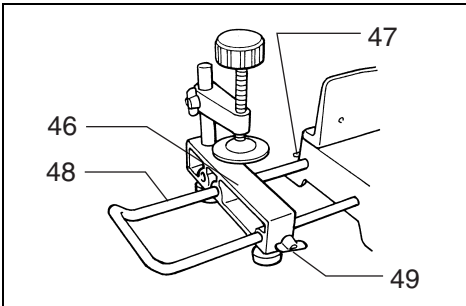
24



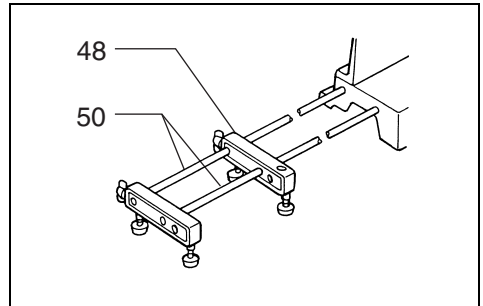
25



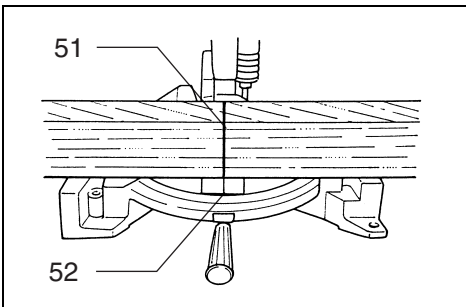
26



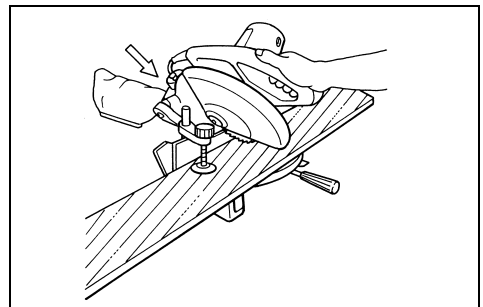
27



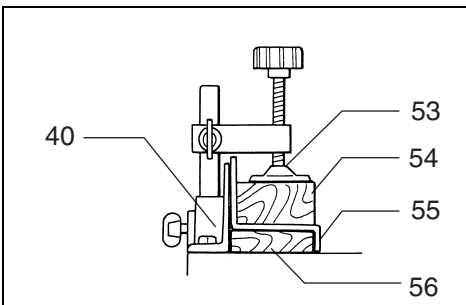
28



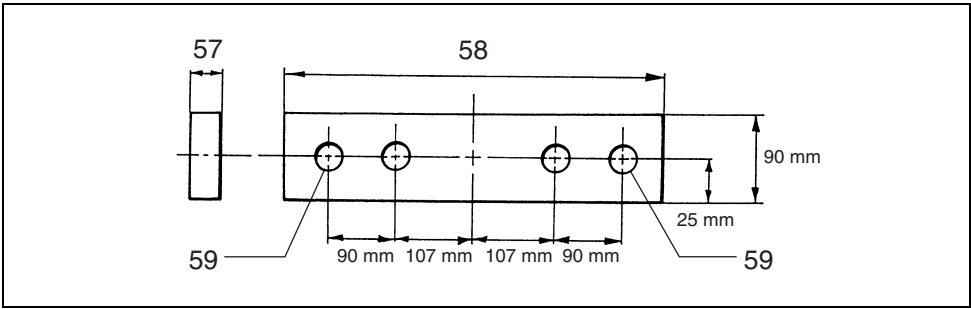
29



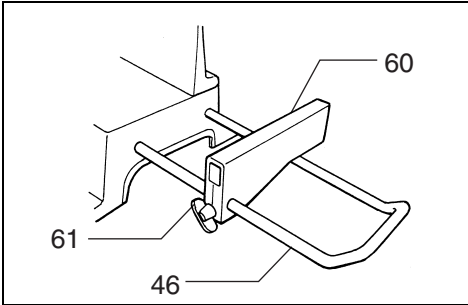
30



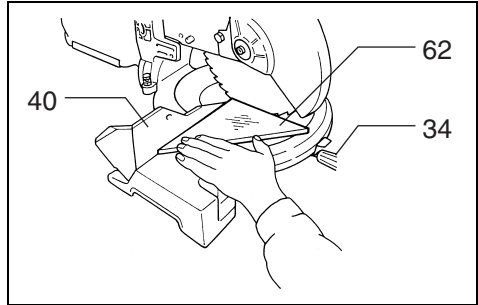
31



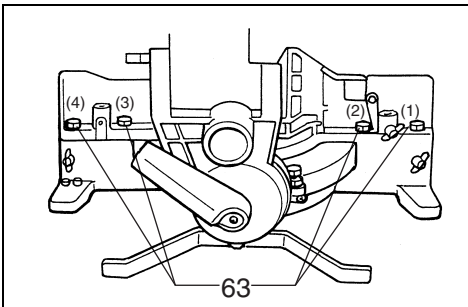
32



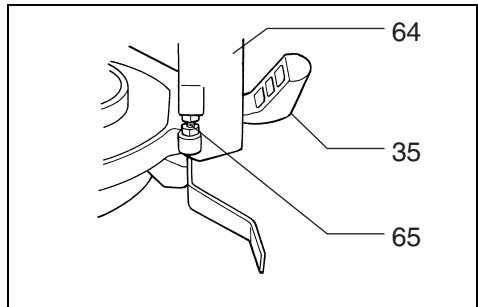
33



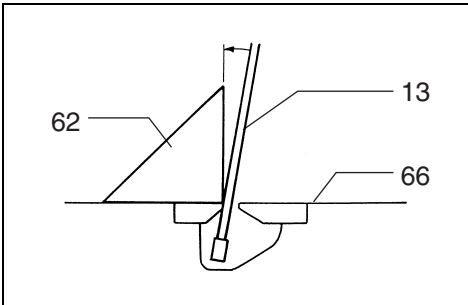
34



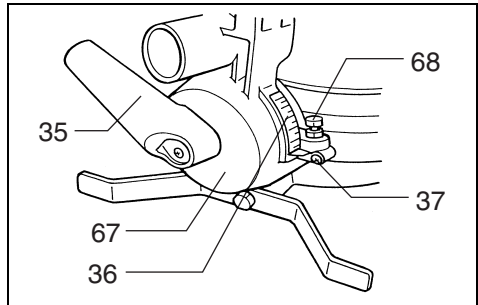
35



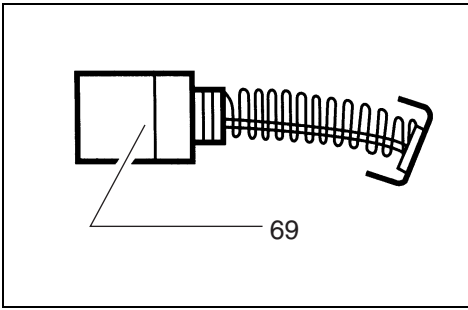
36



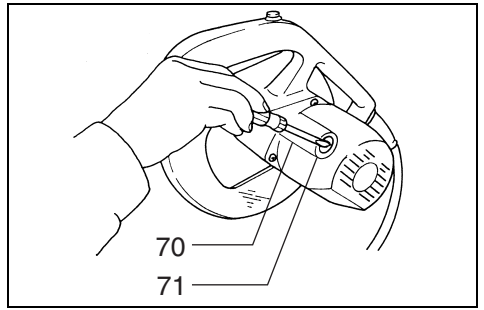
37



38



39



40

Symbols

The following show the symbols used for the tool. Be sure that you understand their meaning before use.

Symbole

Die folgenden Symbole werden für die Maschine verwendet. Machen Sie sich vor der Benutzung unbedingt mit ihrer Bedeutung vertraut.

Symbole

Poniższe symbole używane są do opisu urządzenia. Przed użyciem należy upewnić się, że rozumie się ich znaczenie.

Символы

Следующие объяснения показывают символы, используемые для инструмента. Убедитесь перед использованием, что Вы понимаете их значение.



- Read instruction manual.
- Bitte Bedienungsanleitung lesen.
- Przeczytaj instrukcję obsługi.
- Прочитайте инструкцию по эксплуатации.



- DOUBLE INSULATION
- DOPPELT SCHUTZISOLIERT
- PODWÓJNA IZOLACJA
- ДВОЙНАЯ ИЗОЛЯЦИЯ



- Do not place hand or fingers close to the blade.
- Halten Sie Hände oder Finger vom Sägeblatt fern
- Nie zbliżaj ręk i palców do brzościotu.
- Не помещайте руки или пальцы близко к лезвию.



- To avoid injury from flying debris, keep holding the saw head down, after making cuts, until the blade has come to a complete stop.
- Um Verletzungen durch herausgeschleuderte Teile zu vermeiden, halten Sie den Sägekopf nach Ausführung von Schnitten abgesenkt, bis das Sägeblatt völlig zum Stillstand gekommen ist.
- Aby uniknąć zranienia odskakującymi odpadkami, po zakończeniu cięcia trzymaj głowicę piły w dole, aż do całkowitego zatrzymania się brzościotu.
- Чтобы избежать травмы от летящих обрезков, удерживайте переднюю часть пилы, обращенной вниз, после выполнения резки до тех пор, пока лезвие не остановится полностью.



- For your safety, remove chips, small pieces, etc. from the table top before operation.
- Zur Sicherheit sollte die Tischplatte vor dem Betrieb von Spänen, Kleinteilen usw. gesäubert werden.
- Dla bezpieczeństwa przed przystąpieniem do pracy usuń strużyny, małe odpady itp. z powierzchni stołu.
- Для Вашей безопасности удалите стружки, маленькие куски и т.д. со стола перед эксплуатацией.



- Always set SUB-FENCE to left position when performing left bevel cuts. Failure to do so may cause serious injury to operator.
- Stellen Sie den ZUSATZANSCHLAG bei der Durchführung von Neigungsschnitten immer auf die linke Position. Anderenfalls kann die Bedienungsperson ernsthaft verletzt werden.
- Podczas wykonywania cięć pod kątem pionowym lewym zawsze ustaw PROWADNICĘ po lewej stronie. Niestosowanie się do tego zalecenia może doprowadzić do poważnego zranienia operatora.
- При выполнении левых наклонных разрезов всегда устанавливайте ДОПОЛНИТЕЛЬНЫЙ ЩИТОК в левое положение. Невыполнение этого условия может привести к серьезной травме оператора.

Explanation of general view

1 Base	26 Lever	51 Cutting line
2 Hex bolt	27 Turn base	52 Groove
3 Auxiliary plate	28 Kerf board	53 Vise
4 Nut	29 Sub-fence	54 Spacer block
5 Bolt	30 Adjusting bolt	55 Aluminum extrusion
6 Center cover	31 Pointer	56 Spacer block
7 Socket wrench	32 Miter scale	57 Over 10 mm
8 Shaft lock	33 Latch spring	58 Over 460 mm
9 Loosen	34 Grip	59 Hole
10 Arrow	35 Lever	60 Set plate
11 Blade case	36 Bevel scale	61 Screw
12 Arrow	37 Pointer	62 Triangular rule
13 Saw blade	38 Vise rod	63 Hex bolts
14 Spindle	39 Screws	64 Arm
15 Flange	40 Guide fence	65 Hex bolt (A)
16 Ring	41 Vise arm	66 Top surface of turn base
17 Flange	42 Clamp screw	67 Arm holder
18 Hex bolt	43 Support	68 Hex bolt (B)
19 Tighten	44 Knob	69 Limit mark
20 Safety cover	45 Projection	70 Screwdriver
21 Dust spout	46 Holder	71 Brush holder cap
22 Dust bag	47 Screw	
23 Fastener	48 Holder assembly	
24 Lock-off button	49 Screw	
25 Switch trigger	50 Rod 12	

SPECIFICATIONS

Model

LS1040

Blade diameter 255 mm — 260 mm
 Hole (arbor) diameter
 For all countries other than European countries 25.4 mm and 25 mm
 For European countries 30 mm
 Max. cutting capacities (H x W) with blade 260 mm in diameter

Bevel angle \ Miter angle	Miter angle	
	0°	45° (left and right)
0°	93 mm x 95 mm 69 mm x 135 mm	93 mm x 67 mm 69 mm x 95 mm
45° (left)	53 mm x 95 mm 35 mm x 135 mm	49 mm x 67 mm 35 mm x 94 mm

No load speed (RPM) 4,600
 Dimensions (L x W x H) 530 mm x 476 mm x 532 mm
 Net weight 11 kg

- Due to our continuing program of research and development, the specifications herein are subject to change without notice.
- Note: Specifications may differ from country to country.

Intended use

The tool is intended for accurate straight and miter cutting in wood. With appropriate saw blades, aluminum can also be sawed.

Power supply

The tool should be connected only to a power supply of the same voltage as indicated on the nameplate, and can only be operated on single-phase AC supply. They are double-insulated in accordance with European Standard

and can, therefore, also be used from sockets without earth wire.

For public low-voltage distribution systems of between 220 V and 250 V

Switching operations of electric apparatus cause voltage fluctuations. The operation of this device under unfavorable mains conditions can have adverse effects to the operation of other equipment. With a mains impedance equal or less than 0.30 Ohms it can be presumed that there will be no negative effects. The mains socket used for this device must be protected with a fuse or protective circuit breaker having slow tripping characteristics.

SAFETY INSTRUCTIONS

Warning! When using electric tools, basic safety precautions should always be followed to reduce the risk of fire, electric shock and personal injury, including the following. Read all these instructions before attempting to operate this product and save these instructions.

For safe operation:

- 1. Keep work area clean**
Cluttered areas and benches invite injuries.
- 2. Consider work area environment**
Don't expose power tools to rain. Don't use power tools in damp or wet locations. Keep work area well lit. Don't use power tools in presence of flammable liquids or gases.
- 3. Guard against electric shock**
Prevent body contact with grounded surfaces (e.g. pipes, radiators, ranges, refrigerators).
- 4. Keep children away**
Do not let visitors contact tool or extension cord. All visitors should be kept away from work area.
- 5. Store idle tools**
When not in use, tools should be stored in dry, high, or locked-up place, out of the reach of children.
- 6. Don't force tool**
It will do the job better and safer at the rate for which it was intended.
- 7. Use right tool**
Don't force small tools or attachments to do the job of a heavy duty tool. Don't use tools for purposes not intended; for example, don't use circular saw for cutting tree limbs or logs.
- 8. Dress properly**
Do not wear loose clothing or jewelry. They can be caught in moving parts. Rubber gloves and non-skid footwear are recommended when working outdoors. Wear protective hair covering to contain long hair.
- 9. Use safety glasses and hearing protection**
Also use face or dust mask if cutting operation is dusty.
- 10. Connect dust extraction equipment**
If devices are provided for the connection of dust extraction and collection facilities, ensure these are connected and properly used.
- 11. Don't abuse cord**
Never carry tool by cord or yank it to disconnect it from receptacle. Keep cord from heat, oil and sharp edges.
- 12. Secure work**
Use clamps or a vise to hold work. It's safer than using your hand and it frees both hands to operate tool.
- 13. Don't overreach**
Keep proper footing and balance at all times.

- 14. Maintain tools with care**
Keep tools sharp and clean for better and safer performance. Follow instructions for lubricating and changing accessories. Inspect tool cords periodically and, if damaged, have repaired by authorized service facility. Inspect extension cords periodically and replace if damaged. Keep handles dry, clean and free from oil and grease.
- 15. Disconnect tools**
When not in use, before servicing, and when changing accessories such as blades, bits and cutters.
- 16. Remove adjusting keys and wrenches**
Form the habit of checking to see that keys and adjusting wrenches are removed from tool before turning it on.
- 17. Avoid unintentional starting**
Don't carry plugged-in tool with finger on switch. Be sure switch is off when plugging in.
- 18. Outdoor use extension cords**
When tool is used outdoors, use only extension cords intended for use outdoors and so marked.
- 19. Stay alert**
Watch what you are doing. Use common sense. Do not operate tool when you are tired.
- 20. Check damaged parts**
Before further use of the tool, a guard or other part that is damaged should be carefully checked to determine that it will operate properly and perform its intended function. Check for alignment of moving parts, binding of moving parts, breakage of parts, mounting, and any other conditions that may affect its operation. A guard or other part that is damaged should be properly repaired or replaced by an authorized service center unless otherwise indicated elsewhere in this instruction manual. Have defective switches replaced by and authorized service center. Do not use tool if switch does not turn it on and off.
- 21. Warning**
The use of any other accessory or attachment other than recommended in this operating instruction or the catalog may present a risk of personal injury.
- 22. Have your tool repaired by an expert**
This electric appliance is in accordance with the relevant safety rules. Repairing of electric appliances may be carried out only by experts otherwise it may cause considerable danger for the user.

ADDITIONAL SAFETY RULES

- 1. Wear eye protection.**
- 2. Do not operate saw without guards in place.**
- 3. Don't use the tool in the presence of flammable liquids or gases.**
- 4. Check the blade carefully for cracks or damage before operation. Replace cracked or damaged blade immediately.**
- 5. Use only flanges specified for this tool.**

6. Be careful not to damage the arbor, flanges (especially the installing surface) or bolt. Damage to these parts could result in blade breakage.
7. Make sure that the turn base is properly secured so it will not move during operation.
8. For your safety, remove the chips, small pieces, etc. from the table top before operation.
9. Avoid cutting nails. Inspect for and remove all nails from the workpiece before operation.
10. Make sure the shaft lock is released before the switch is turned on.
11. Be sure that the blade does not contact the turn base in the lowest position.
12. Hold the handle firmly. Be aware that the saw moves up or down slightly during start-up and stopping.
13. Do not perform any operation freehand. The workpiece must be secured firmly against the turn base and guide fence with the vise during all operations. Never use your hand to secure the workpiece.
14. Keep hands out of path of saw blade. Avoid contact with any coasting blade. It can still cause severe injury.
15. Never reach around saw blade.
16. Make sure the blade is not contacting the workpiece before the switch is turned on.
17. Before using the tool on an actual workpiece, let it run for a while. Watch for vibration or wobbling that could indicate poor installation or a poorly balanced blade.
18. Wait until the blade attains full speed before cutting.
19. Stop operation immediately if you notice anything abnormal.
20. Do not attempt to lock the trigger in the ON position.
21. Shut off power and wait for saw blade to stop before servicing or adjusting tool.
22. Be alert at all times, especially during repetitive, monotonous operations. Don't be lulled into a false sense of security. Blades are extremely unforgiving.
23. Always use accessories recommended in this manual. Use of improper accessories such as abrasive wheels may cause an injury.
24. Don't abuse cord. Never yank cord to disconnect it from the receptacle. Keep cord away from heat, oil, water and sharp edges.
25. Do not use the saw to cut other than aluminum, wood or similar materials.
26. Connect compound miter saws to a dust collecting device when sawing.
27. Select saw blades in relation to the material to be cut.
28. Take care when slotting.
29. Replace the kerf board when worn.

SAVE THESE INSTRUCTIONS.

OPERATING INSTRUCTIONS

Carrying tool (Fig. 1)

When carrying the tool, lower the handle fully and press the stopper pin to lock the handle in the lowered position. Secure the turn base by means of the grip. The tool can then be conveniently carried by the carrying grip.

WARNING:

- Be sure that the tool is unplugged first.
- Stopper pin is for carrying purposes only and not for any cutting operations.

Installing auxiliary plate (Fig. 2 & 3)

Install the auxiliary plate using the notch in the tool's base and secure it by tightening the hex bolt.

Bench mounting saw (Fig. 4)

This tool should be bolted with two bolts to a level and stable surface using the bolt holes provided in the tool's base. This will help prevent tipping and possible injury.

Installing or removing saw blade

Important:

Always be sure that the tool is switched off and unplugged before installing or removing the blade.

To remove the blade, use the socket wrench to loosen the hex bolt holding the center cover by turning it more than three turns counterclockwise. Raise the safety cover and center cover. (Fig. 5)

Press the shaft lock so that the blade cannot revolve and use the socket wrench to loosen the hex bolt clockwise. Then remove the hex bolt, outer flange and blade.

(Fig. 6)

To install the blade, mount it onto the spindle, making sure that the direction of the arrow on the surface of the blade matches the direction of the arrow on the blade case. (Fig. 7)

CAUTION:

- **For all countries other than European countries (Fig. 8)**

The silver ring 25.4mm in outer diameter is factory-installed onto the spindle. The black ring 25mm in outer diameter is included as standard equipment. Before mounting the blade onto the spindle, always be sure that the correct ring for the arbor hole of the blade you intend to use is installed onto the spindle.

- **For European countries (Fig. 8)**

The ring 30mm in outer diameter is factory-installed onto the spindle.

Install the flange and hex bolt, and then use the socket wrench to tighten the hex bolt securely counterclockwise while pressing the shaft lock. Then tighten the hex bolt clockwise to secure the center cover. (Fig. 9)

CAUTION:

Use only the Makita socket wrench provided to install or remove the blade. Failure to do so may result in overtightening or insufficient tightening of the hex bolt. This could cause an injury.

Safety cover (Fig. 10)

When lowering the handle, the safety cover rises automatically. The cover returns to its original position when the cut is completed and the handle is raised. NEVER DEFEAT OR REMOVE THE SAFETY COVER. In the interest of your personal safety, always maintain the safety cover in good condition. Any irregular operation of the safety cover should be corrected immediately. NEVER USE THE TOOL WITH A FAULTY SAFETY COVER. If the see-through safety cover becomes dirty, or sawdust adheres to it in such a way that the blade and/or workpiece is no longer easily visible, unplug the saw and clean the cover carefully with a damp cloth. Do not use solvents or any petroleum-based cleaners on the plastic cover.

Dust bag (Fig. 11 & 12)

The use of the dust bag makes cutting operations clean and dust collection easy. To attach the dust bag, fit the bag's entry port over the dust spout. When the dust bag is about half full, remove the dust bag from the tool and pull the fastener out. Empty the dust bag of its contents, tapping it lightly so as to remove particles adhering to the insides which might hamper further collection.

Switch action

CAUTION:

- Before plugging in the tool, always check to see that the switch trigger actuates properly and returns to the "OFF" position when released.
- When not using the tool, remove the lock-off button and store it in a secure place. This prevents unauthorized operation.
- Do not pull the trigger hard without pressing in the lock-off button. This can cause breakage of the switch.

For all countries other than European countries (Fig. 13)

To prevent the trigger from being accidentally pulled, a lock-off button is provided. To start the tool, press in the lock-off button and pull the trigger. Release the trigger to stop.

For European countries (Fig. 14)

To prevent the trigger from being accidentally pulled, a lock-off button is provided. To start the tool, push the lever to the left, press in the lock-off button and then pull the trigger. Release the trigger to stop.

Kerf board (Fig. 15)

This tool is provided with the kerf board in the turn base. If the kerf groove has not yet been cut in the kerf board by the factory, you should cut the groove before actually using the tool to cut a workpiece. Switch on the tool and lower the blade gently to cut a groove in the kerf board.

Sub-fence (Fig. 16 & 17)

This tool is equipped with the sub-fence which should ordinarily be positioned as shown in **Fig. 16**. However, when performing left bevel cuts, set it to the left position as shown in **Fig. 17**.

Maintaining maximum cutting capacity (Fig. 18 & 19)

Unplug the tool before any adjustment is attempted. This tool is factory adjusted to provide the max. cutting capacity for a 260 mm saw blade. When the diameter of the blade has been reduced due to sharpening, adjust the depth adjusting bolt by turning it with the socket wrench. The saw blade is lowered by turning the depth adjusting bolt counterclockwise and raised by turning it clockwise. Adjust so that when the handle is in the fully lowered position, there will be a distance of about 135 mm from the front face of the guide fence to the point where the front edge of the blade enters the kerf. With the tool unplugged, rotate the blade by hand while holding the handle all the way down. Be sure that the blade does not contact any part of the lower base when the handle is lowered completely.

Positioning for adjusting the miter angle (Fig. 20)

Loosen the grip by turning counterclockwise. Turn the turn base while pressing down the latch spring. When you have moved the grip to the position where the pointer indicates the desired angle on the miter scale, securely tighten the grip clockwise.

CAUTION:

When turning the turn base, be sure to raise the handle fully.

Positioning for adjusting the bevel angle (Fig. 21 & 22)

The saw blade tilts up to 45° to the left only when the sub-fence is set to the left position as shown in **Fig. 17**. To adjust the bevel angle, loosen the lever at the rear of the tool. Tilt the blade to the left so that the pointer indicates the desired angle on the bevel scale. Then tighten the lever firmly to secure the arm.

CAUTION:

When tilting the saw blade, be sure to raise the handle fully.

Securing workpiece

WARNING:

It is extremely important to always secure the workpiece properly and tightly with the vise. Failure to do so can cause the tool to be damaged and/or the workpiece to be destroyed. PERSONAL INJURY MAY ALSO RESULT. Also, after a cutting operation, DO NOT raise the blade until the blade has come to a complete stop.

1. Vertical vise (Fig. 23 & 27)

The vertical vise can be installed on the guide fence or the holder assembly (optional accessory). Insert the vise rod into the hole in the guide fence or the holder assembly and tighten the screw to secure the vise rod. Position the vise arm according to the thickness and shape of the workpiece and secure the vise arm by tightening the screw. Press the workpiece flat against the guide fence and the turn base. Position the workpiece at the desired cutting position and secure it firmly by tightening the clamp screw.

CAUTION:

The workpiece must be secured firmly against the turn base and guide fence with the vise during all operations.

If some part contacts the vise, re-position the vise arm. Press the workpiece flat against the guide fence and the turn base. Position the workpiece at the desired cutting position and secure it firmly by tightening the clamp screw of the vise.

CAUTION:

When cutting long workpieces, use supports that are as high as the top surface level of the turn base. (Fig. 24)

2. Horizontal vise (optional accessory) (Fig. 25 & 26)

The horizontal vise can be installed on either the left or right side of the base. When performing 15° or greater miter cuts, install the horizontal vise on the side opposite the direction in which the turn table is to be turned. By turning the knob on the vise counterclockwise, the screw is released and the vise shaft can be moved rapidly in and out. By turning the knob clockwise, the screw remains secured. To grip workpieces, turn the knob gently clockwise until the projection reaches its topmost position, then fasten securely. If the knob is forced in or pulled out while being turned clockwise, the projection may stop at an angle. In this case, turn the knob back counterclockwise until the screw is released, before turning again gently clockwise.

3. Holders and holder assembly(optional accessories)

The holders and the holder assembly can be installed on either side as a convenient means of supporting workpieces horizontally. Install them as shown in Fig.27. Then tighten the screws firmly to secure the holders and the holder assembly. (Fig. 27)

When cutting long workpieces, use the holder-rod assembly (optional accessory). It consists of two holder assemblies and two rods 12. (Fig. 28)

CAUTION:

Always support long workpieces level with the top surface of the turn base for accurate cuts and to prevent dangerous loss of control of the tool.

Operation

CAUTION:

- Before use, be sure to release the handle from the lowered position by pulling the stopper pin.
- Make sure the blade is not contacting the workpiece, etc. before the switch is turned on.
- Do not apply excessive pressure on the handle when cutting. Too much force may result in overload of the motor and/or decreased cutting efficiency.
- Gently press down the handle to perform the cut. If the handle is pressed down with force or if lateral force is applied, the blade will vibrate and leave a mark (saw mark) in the workpiece and the precision of the cut will be impaired.

When cutting with this tool, the thickness of the blade is cut out of the workpiece as well. Therefore, your cutting line should be on either the left or right side of the groove in the kerf board. Switch on the tool and wait until the blade attains full speed before lowering gently into the cut. When the blade contacts the workpiece, gradually bear down on the handle to perform the cut. When the cut is completed, switch off the tool and **WAIT UNTIL THE BLADE HAS COME TO A COMPLETE STOP** before returning the blade to its fully elevated position. A thin piece of cut off material could otherwise contact the coasting blade and be thrown around dangerously. (Fig. 29)

1. Miter cutting

Refer to the previously covered "Positioning for adjusting the miter angle".

2. Bevel cut (Fig. 30)

- Left 0° – 45° bevel cuts can be performed.
- Set the sub-fence to the left position as shown in Fig. 17. Loosen the lever and tilt the saw blade to set the bevel angle. Be sure to retighten the lever firmly to secure the selected bevel angle safely. Secure the workpiece with the vise. Switch on the tool and wait until the blade attains full speed. Then gently lower the handle to the fully lowered position while applying pressure in parallel with the blade. When the cut is completed, switch off the tool and **WAIT UNTIL THE BLADE HAS COME TO A COMPLETE STOP** before returning the blade to its fully elevated position.

CAUTION:

- When performing the bevel cut with the workpiece secured on the left side of the turn base, it will create a condition where the piece cut off will come to rest on the blade. If the blade is raised while the blade is still rotating, this piece may be caught in the blade, causing fragments to be scattered around which is dangerous. The blade should be gently raised only after the blade has come to a complete stop.
- When pressing down the handle, apply pressure in parallel with the blade. If a force is applied perpendicularly to the turn base or if the pressure direction is changed during a cut, the precision of the cut will be impaired.
- Always set the sub-fence to the left position as shown in Fig. 17 when performing bevel cuts.

3. Compound cutting

Compound cutting can be performed at angle shown in the table below.

Bevel angle	Miter angle
45°	Left and right 0° – 45°

When performing the compound cutting, refer to "Miter cutting" and "Bevel cut" explanations.

4. Cutting aluminum extrusion (Fig. 31)

When securing aluminum extrusions, use spacer blocks or pieces of scrap as shown in **Fig. 31** to prevent deformation of the aluminum. Use a cutting lubricant when cutting the aluminum extrusion to prevent build-up of the aluminum material on the blade.

CAUTION:

Never attempt to cut thick or round aluminum extrusions. Thick aluminum extrusions may come loose during operation and round aluminum extrusions cannot be secured firmly with this tool.

5. Wood facing (Fig. 32)

Use of wood facing helps to assure splinter-free cuts in workpieces. Attach a wood facing to the guide fence using the holes in the guide fence.

CAUTION:

- Use straight wood of even thickness as the wood facing.
- See **Fig. 32** concerning the dimensions for a suggested wood facing.

6. Cutting repetitive lengths (Fig. 33)

When cutting several pieces of stock to the same length, ranging from 240 mm to 400 mm, use of the set plate (optional accessory) will facilitate more efficient operation. Install the set plate on the holder as shown in **Fig. 33**. Align the cutting line on your workpiece with either the left or right side of the groove in the kerf board, and while holding the workpiece from moving, move the set plate flush against the end of the workpiece. Then secure the set plate with the screw. When the set plate is not used, loosen the screw and turn the set plate out of the way.

MAINTENANCE

CAUTION:

Always be sure that the tool is switched off and unplugged before carrying out any work on the tool.

Adjusting the cutting angle

This tool is carefully adjusted and aligned at the factory, but rough handling may have affected the alignment. If your tool is not aligned properly, perform the following:

1) Miter angle (Fig. 34 & 35)

Loosen the grip and set the turn base at zero degrees by turning the turn base. Tighten the grip securely and loosen the hex bolts on the guide fence. Square the side of the blade with the face of the guide fence using a triangular rule, try-square, etc. by moving the right side of the guide fence. Then securely tighten the hex bolts on the guide fence in the order indicated in **Fig. 35**.

2) Bevel angle

i) 0° bevel angle

Loosen the lever at the rear of the tool. Loosen the hex nut and turn the hex bolt (A) two or three revolutions clockwise so that the blade tilts to the right. (**Fig. 36**)

Lower the handle fully and square the side of the blade with the top surface of the turn base using the triangular rule, try-square, etc. by turning the hex bolt (A) counterclockwise. Then tighten the hex nut to secure the hex bolt (A). (**Fig. 37**)

Make sure that the pointer on the arm indicates 0° on the bevel scale on the arm holder. If the pointer does not indicate 0°, loosen the screw securing the pointer and adjust the pointer. (**Fig. 38**)

ii) 45° bevel angle

Adjust 45° bevel angle only after performing 0° bevel angle adjustment. To adjust 45° bevel angle, loosen the lever and tilt the saw blade to the left fully. Make sure that the pointer on the arm indicates 45° on the bevel scale on the arm holder. If the pointer does not indicate 45°, turn the hex bolt (B) on the side of the arm until the pointer indicates 45°. (**Fig. 38**)

Replacement of carbon brushes (Fig. 39 & 40)

Replace carbon brushes when they are worn down to the limit mark. Both identical carbon brushes should be replaced at the same time.

To maintain product safety and reliability, repairs, maintenance or adjustment should be carried out by a Makita Authorized Service Center.

Noise and Vibration of Model LS1040

The typical A-weighted noise levels are
sound pressure level: 93 dB (A)
sound power level: 106 dB (A)

– Wear ear protection. –

The typical weighted root mean square acceleration
value is not more than 2.5 m/s².

EC-DECLARATION OF CONFORMITY

The undersigned, Yasuhiko Kanzaki, authorized by
Makita Corporation, 3-11-8 Sumiyoshi-Cho, Anjo,
Aichi 446-8502 Japan declares that this product
(Serial No. : series production) manufactured by Mak-
ita Corporation in P.R.C is in compliance with the fol-
lowing standards or standardized documents,

EN61029, EN55014, EN61000

in accordance with Council Directives,
73/23/EEC, 89/336/EEC and 98/37/EC.

Yasuhiko Kanzaki **CE97**



Director

MAKITA INTERNATIONAL EUROPE LTD.

Michigan Drive, Tongwell, Milton Keynes, Bucks
MK15 8JD, ENGLAND

Übersicht

1	Maschinenfuß	26	Arretierhebel	52	Nut
2	Sechskantschraube	27	Drehteller	53	Schraubzwinde
3	Kippsicherung	28	Einlegeplatten	54	Zulagen
4	Mutter	29	Zusatzanschlag	55	Dünnwandiger Aluminium Werkstoff
5	Schraube	30	Justierschraube	56	Zulagen
6	Mittelabdeckung	31	Markierungspfeil	57	Über 10 mm
7	Steckschlüssel	32	Einstellskala	58	Über 460 mm
8	Spindelarrretierung	33	Sperrhebel	59	Bohrung
9	Lösen	34	Griff	60	Seitenanschlag
10	Drehrichtungspfeil	35	Arretierhebel	61	Flügelschraube
11	Sägeblattgehäuse	36	Neigungswinkel-Einstellskala	62	Einsteldreieck
12	Drehrichtungspfeil	37	Markierungspfeil	63	Sechskantschrauben
13	Sägeblatt	38	Stehbolzen	64	Sägekopf
14	Spindel	39	Feststellschrauben	65	Sechskantschraube (A)
15	Flansch	40	Parallelanschlag	66	Werkstückauflagefläche
16	Reduzierung	41	Schraubzwingenarm	67	Sägekopf-Drehlager
17	Flansch	42	Klemmschraube	68	Sechskantschraube (B)
18	Sechskantschraube	43	Stütze	69	Verschleißgrenze
19	Anziehen	44	Drehknopf	70	Schraubendreher
20	Schutzhaube	45	Sperrhebel	71	Bürstenhalterkappe
21	Staubauslaßstutzen	46	Auflageverlängerung		
22	Staubsack	47	Schraube		
23	Verschußschiene	48	Montagestütze		
24	Einschaltsperr/Einschalt- Sicherheitsstift	49	Flügelschraube		
25	Schalter	50	Führungstangen		
		51	Schnittlinie		

TECHNISCHE DATEN

Modell	LS1040
Sägeblattdurchmesser	255 mm — 260 mm
Sägeblattbohrung	
Für alle Länder außerhalb Europas	25,4 mm und 25 mm
Für europäische Länder	30 mm
Max. Schnitttiefe (H x B) mit 260 mm Durchmesser Sägeblatt	

Neigungswinkel \ Gehrungswinkel	0°	45° (links und rechts)
	0°	93 mm x 95 mm 69 mm x 135 mm
45° (links)	53 mm x 95 mm 35 mm x 135 mm	49 mm x 67 mm 35 mm x 94 mm

Leerlaufdrehzahl	4 600 min ⁻¹
Abmessungen (L x B x H)	530 mm x 476 mm x 532 mm
Nettogewicht	11 kg

- Wir behalten uns vor, Änderungen im Zuge der Entwicklung und des technischen Fortschritts ohne vorherige Ankündigung vorzunehmen.
- Hinweis: Die technischen Daten können von Land zu Land abweichen.

Vorgesehene Verwendung

Die Maschine ist für genaue Gerad- und Gehrungsschnitte in Holz vorgesehen. Mit entsprechenden Sägeblättern kann auch Aluminium gesägt werden.

Netzanschluß

Die Maschine darf nur an die auf dem Typenschild angegebene Netzspannung angeschlossen werden und arbeitet nur mit Einphasen-Wechselspannung. Sie ist entsprechend den Europäischen Richtlinien doppelt schutzisoliert und kann daher auch an Steckdosen ohne Erdanschluß betrieben werden.

Für öffentliche Niederspannungs-Verteilungssysteme mit einer Spannung zwischen 220 und 250 V

Schaltvorgänge von Elektrogeräten verursachen Spannungsschwankungen. Der Betrieb dieses Gerätes unter ungünstigen Netzstrombedingungen kann sich nachteilig auf den Betrieb anderer Geräte auswirken. Bei einer Netzstromimpedanz von 0,30 Ohm oder weniger ist anzunehmen, dass keine negativen Effekte auftreten.

Die für dieses Gerät verwendete Netzsteckdose muss durch eine Sicherung oder einen Schutzschalter mit tragen Auslösungseigenschaften geschützt sein.

SICHERHEITSHINWEISE

Achtung! Beim Gebrauch von Elektrowerkzeugen sind zum Schutz gegen elektrischen Schlag, Verletzung und Brandgefahr folgende grundsätzlichen Sicherheitsmaßnahmen zu beachten.

Lesen und beachten Sie diese Hinweise, bevor Sie das Gerät benutzen.

- 1. Halten Sie Ihren Arbeitsbereich in Ordnung**
Unordnung im Arbeitsbereich ergibt Unfallgefahr.
- 2. Berücksichtigen Sie Umgebungseinflüsse**
Setzen sie Elektrowerkzeuge nicht dem Regen aus. Benützen Sie Elektrowerkzeuge nicht in feuchter oder nasser Umgebung. Sorgen Sie für gute Beleuchtung. Benützen Sie Elektrowerkzeuge nicht in Nähe von brennbaren Flüssigkeiten oder Gasen.
- 3. Schützen Sie sich vor elektrischem Schlag**
Vermeiden Sie Körperberührung mit geerdeten Teilen, zum Beispiel Rohren, Heizkörpern, Herden, kühltschränken.
- 4. Halten Sie Kinder fern!**
Lassen Sie andere Personen nicht das Werkzeug oder Kabel berühren, halten Sie sie von Ihrem Arbeitsbereich fern.
- 5. Bewahren Sie Ihre Werkzeuge sicher auf**
Unbenutzte Werkzeuge sollten in trockenem, verschlossenem Raum und für Kinder nicht erreichbar aufbewahrt werden.
- 6. Überlasten Sie Ihr Werkzeug nicht**
Sie arbeiten besser und sicherer im angegebenen Leistungsbereich.
- 7. Benützen Sie das richtige Werkzeug**
Verwenden Sie keine zu schwachen Werkzeuge oder Vorsatzgeräte für schwere Arbeiten. Benützen Sie Werkzeuge nicht für Zwecke und Arbeiten, Wofür sie nicht bestimmt sind; zum Beispiel benützen Sie keine Handkreissäge, um Bäume zu flällen oder Äste zu schneiden.
- 8. Tragen Sie geeignete Arbeitskleidung**
Tragen Sie keine weite Kleidung oder Schmuck. Sie können von beweglichen Teilen erfaßt werden. Bei Arbeiten im Freien sind Gummihandschuhe und rutschfestes Schuhwerk empfehlenswert. Tragen Sie bei langen Haaren ein Haarnetz.
- 9. Schutzbrille und Gehörschutz tragen**
Verwenden Sie eine Atemmaske bei stauberzeugenden Arbeiten.
- 10. Schließen Sie eine Staubabsaugvorrichtung an**
Wenn Geräte für den Anschluß von Staubabsaug- und sammelvorrichtungen ausgelegt sind, sorgen Sie dafür, daß Jiese angeschlossen und korrekt benutz werden.
- 11. Zweckentfremden Sie nicht das Kabel**
Tragen Sie das Werkzeug nicht am Kabel, und benutzen Sie es nicht, um den Stecker aus der Steckdose zu ziehen. Schützen Sie das Kabel vor Hitze, Öl und scharfen Kanten.
- 12. Sichern Sie das Werkstück**
Benützen Sie Spannvorrichtungen oder einen Schraubstock, um das Werkstück festzuhalten. Es ist damit sicherer gehalten als mit Ihrer Hand und ermöglicht die Bedienung der Maschine mit beiden Händen.
- 13. Überdehnen Sie nicht Ihren Standbereich**
Vermeiden Sie abnormale Körperhaltung. Sorgen Sie für sicheren Stand, und halten Sie jederzeit das Gleichgewicht.
- 14. Pflegen Sie Ihre Werkzeuge mit Sorgfalt**
Halten Sie Ihre Werkzeuge scharf und sauber, um gut und sicher zu arbeiten. Befolgen Sie die Wartungsvorschriften und die Hinweise für Werkzeugwechsel. Kontrollieren Sie regelmäßig den Stecker und das Kabel, und lassen Sie diese bei Beschädigung von einem anerkannten Fachmann erneuern. Kontrollieren Sie Verlängerungskabel regelmäßig und ersetzen Sie beschädigte. Halten Sie Handgriffe trocken und frei von Öl und Fett.
- 15. Ziehen Sie den Netzstecker**
Bei Nichtgebrauch, vor der Wartung und beim Werkzeugwechsel, wie zum Beispiel Sägeblatt, Bohrer und Maschinenwerkzeugen aller Art.
- 16. Lassen Sie keine Werkzeugschlüssel stecken**
Überprüfen Sie vor dem Einschalten, daß die Schlüssel und Einstellwerkzeuge entfernt sind.
- 17. Vermeiden Sie unbeabsichtigten Anlauf**
Tragen Sie keine an das Stromnetz angeschlossene Werkzeuge mit dem Finger am Schalter. Vergewissern Sie sich, daß der Schalter beim Anschluß an das Stromnetz ausgeschaltet ist.
- 18. Verlängerungskabel im Freien**
Verwenden Sie im Freien nur dafür zugelassene und entsprechend gekennzeichnete Verlängerungskabel.
- 19. Seien Sie stets aufmerksam**
Beobachten Sie Ihre Arbeit. Gehen Sie vernünftig vor. Verwenden Sie das Werkzeug nicht, wenn Sie unkonzentriert sind.

- 20. Kontrollieren Sie Ihr Gerät auf Beschädigungen**
Vor weiterem Gebrauch des Werkzeugs die Schutzeinrichtungen oder leicht beschädigte Teile sorgfältig auf ihre einwandfreie und bestimmungsgemäße Funktion überprüfen. Überprüfen Sie, ob die Funktion beweglicher Teile in Ordnung ist, ob sie nicht klemmen oder ob Teile beschädigt sind. Sämtliche Teile müssen richtig montiert sein und alle Bedingungen erfüllen, um den einwandfreien Betrieb des Gerätes zu gewährleisten.

Beschädigte Schutzvorrichtungen und Teile sollen sachgemäß durch eine Kundendienstwerkstatt repariert oder ausgetauscht werden, soweit nichts anderes in den Betriebsanleitungen angegeben ist. Beschädigte Schalter müssen bei einer Kundendienstwerkstatt ersetzt werden. Benutzen Sie keine Werkzeuge, bei denen sich der Schalter nicht ein und ausschalten läßt.

21. Achtung!

Zu Ihrer eigenen Sicherheit, benutzen Sie nur Zubehör und Zusatzgeräte, die in der Bedienungsanleitung angegeben oder vom Werkzeug-Hersteller empfohlen oder angegeben werden. Der Gebrauch anderer als der in der Bedienungsanleitung oder im Katalog empfohlenen Einsatzwerkzeuge oder Zubehörteile kann eine persönliche Verletzungsgefahr für Sie bedeuten.

22. Reparaturen nur vom Elektrofachmann.

Dieses Elektrowerkzeug entspricht den einschlägigen Sicherheitsbestimmungen. Reparaturen dürfen nur von einer Elektrofachkraft ausgeführt werden, andernfalls können Unfälle für den Betreiber entstehen.

ZUSÄTZLICHE SICHERHEITSBESTIMMUNGEN

1. Tragen Sie während der Arbeit mit der Maschine stets eine Schutzbrille sowie vorgeschriebene Arbeitskleidung und, falls erforderlich, persönliche Schutzausrüstung.
2. Vergewissern Sie sich, daß die Schutzvorrichtungen vorschriftsmäßig angebracht sind, bevor Sie das Gerät einschalten.
3. Das Gerät nicht in der Nähe leicht entzündlicher Flüssigkeiten oder Gase betreiben.
4. Überprüfen Sie das Sägeblatt vor dem Betrieb sorgfältig auf Risse oder Beschädigung. Wechseln Sie ein gerissenes oder beschädigtes Sägeblatt unverzüglich aus.
5. Verwenden Sie nur die für diese Maschine vorgeschriebenen Flansche.
6. Achten Sie sorgfältig darauf, daß Welle, Flansche (insbesondere deren Montageflächen) und Schraube nicht beschädigt werden. Eine Beschädigung dieser Teile kann zu Schäden am Sägeblatt führen.
7. Vergewissern Sie sich, daß der Drehteller arretiert ist und sich während des Sägebetriebes nicht bewegt.

8. Zur Sicherheit des Bedienenden sollten Abfallstücke und Kleinteile vor Beginn der Arbeit aus dem Arbeitsbereich entfernt werden. Bei der Bearbeitung können kurze Abschnitte vom Sägeblatt erfaßt und weggeschleudert werden. Schmale Abschnitte können zwischen Anschlag und Sägeblatt eingezogen werden und Verkleben des Blattes führen.
9. Vor Arbeitsbeginn das zu bearbeitende Werkstück auf evtl. vorhandene Nägel oder Schrauben überprüfen und diese herausziehen. Ein unbeabsichtigtes Durchschneiden eines mit Nägeln und Schrauben versehenen Werkstücks kann zur Beschädigung des Sägeblattes sowie Verletzungen des Bedienenden führen.
10. Vergewissern Sie sich, daß die Spindelarretierung gelöst ist, bevor Sie das Gerät einschalten.
11. Achten Sie darauf, daß das Sägeblatt in seiner niedrigsten Position die Drehplatte nicht berührt.
12. Die Säge kann sich während des Anlauf- bzw. Bremsvorgangs leicht nach oben oder unter bewegen.
13. Führen Sie keine Freihandarbeiten aus. Das Werkstück muß bei allen Arbeiten festgespannt werden und am Parallelanschlag sowie am Drehteller anliegen.
14. Vermeiden Sie jede Berührung des Sägeblattes bei laufender Maschine. Auch seitliche Berührung kann zu schweren Verletzungen führen.
15. Fassen Sie nie um das Sägeblatt herum.
16. Vor dem Einschalten darf das Sägeblatt nicht mit dem Werkstück in Berührung kommen.
17. Überprüfen Sie vor der eigentlichen Bearbeitung eines Werkstücks den einwandfreien Rundlauf des Sägeblattes. Schalten Sie dazu die Maschine ein und achten Sie auf eventuelle Vibrationen oder Taumelbewegungen des Sägeblattes, die Anzeichen für falsche Montage oder Unwucht des Sägeblattes sein können.
18. Beginnen Sie erst dann mit dem Bearbeitungsvorgang, wenn die Maschine ihre volle Drehzahl erreicht hat.
19. Bei Auftreten von Störungen den Betrieb sofort unterbrechen.
20. Versuchen Sie nicht, den Schalter in der EIN-Stellung zu arretieren.
21. Schalten Sie die Maschine aus und warten Sie, bis das Sägeblatt völlig zum Stillstand gekommen ist, bevor Sie Wartungs- oder Einstellarbeiten an der Maschine ausführen.
22. Die Maschine wurde unter Beachtung aller Sicherheitsvorkehrungen konstruiert. Trotzdem gehen von der Maschine Restrisiken aus. Das Sägeblatt läuft bei dem Bearbeitungsvorgang unabgedeckt. Daher muß darauf geachtet werden, daß niemals Körperteile das Sägeblatt berühren.

23. Verwenden Sie nur die in dieser Anleitung empfohlenen Zubehörteile. Die Verwendung ungeeigneter Zubehörteile, wie z.B. Schleifscheiben, kann zu Verletzungen führen.
24. Behandeln Sie das Netzkabel sorgfältig. Ziehen Sie das Netzkabel niemals gewaltsam aus der Steckdose heraus. Halten Sie das Netzkabel von Wärmequellen, Öl, Wasser und scharfen Kanten fern.
25. Bestimmungsgemäße Verwendung: Diese Geh- und Kappsäge ist bestimmt zum Schneiden von Massivholz, Holzwerkstoffen, Kunststoffen und Leichtmetall-Hohlprofilen. Bei Massivholz und Holz gleichzusetzenden Werkstoffen nur Sägeblätter mit positivem Spanwinkel verwenden. Kunststoffe und Leichtmetalle sind mit einem Sägeblatt mit negativem Spanwinkel und Zahnform (Trapez/Flachzahn) zu schneiden. Jede darüber hinausgehende Verwendung gilt als nicht bestimmungsgemäß und bedarf der schriftlichen Zustimmung und Genehmigung des Herstellers.
26. Bei längerem Bearbeiten von Holz bzw. holzähnlichen Werkstoffen oder gewerblichen Einsatz von Materialien, bei denen gesundheitsgefährdende Stäube entstehen, ist das Elektrowerkzeug an eine geeignete externe Absaugeinrichtung anzuschließen.
27. Bei der Herstellung von Nuten besonders aufmerksam und umsichtig vorgehen.
28. Wechseln Sie die Einlegeplatte bei Abnutzung aus.

BEWAHREN SIE DIESE HINWEISE SORGFÄLTIG AUF.

BEDIENUNGSHINWEISE

Tragen der Maschine (Abb. 1)

Zum Tragen der Maschine senken Sie den Sägekopf vollständig und drücken den Verriegelungsknopf, um den Sägekopf in der abgesenkten Stellung zu arretieren. Sichern Sie den Drehteller durch Festdrehen des Griffes. Danach kann die Maschine bequem am Tragegriff getragen werden.

WARNUNG:

- Vergewissern Sie sich vor allen Arbeiten an der Maschine stets, daß der Netzstecker gezogen ist.
- Der Anschlagstift ist lediglich zum Tragen der Maschine vorgesehen; beim Sägebetrieb wird er nicht verwendet.

Montage der Kippsicherung (Abb. 2 u. 3)

Montieren Sie die Kippsicherung am Maschinenfuß und ziehen Sie die Sechskantschraube fest an.

Befestigung der Säge auf einer Werkbank (Abb. 4)

Diese Maschine sollte mit zwei Schrauben auf einer ebenen und stabilen Oberfläche befestigt werden. Verwenden Sie dazu die Befestigungsbohrungen im Maschinenfuß. Sie erreichen dadurch hohe Standfestigkeit und größtmögliche Sicherheit während des Bearbeitungsvorgangs.

Montage bzw. Demontage des Sägeblattes

Wichtig:

Vergewissern Sie sich vor der Montage bzw. Demontage des Sägeblattes stets, daß die Maschine abgeschaltet und der Netzstecker gezogen ist.

Bei der Demontage benutzen Sie den Steckschlüssel, um die Sechskantschraube, die die Mittelabdeckung hält, durch mehr als drei Umdrehungen linksdrehend zu lösen. Danach heben Sie die Schutzhaube und die Mittelabdeckung an. (Abb. 5) Drücken Sie auf die Spindelarretierung, damit sich das Sägeblatt nicht drehen kann, und benutzen Sie den Steckschlüssel, um die Sechskantschraube durch Rechtsdrehung zu lösen. Dann entfernen Sie die Sechskantschraube, den Flansch und das Sägeblatt. (Abb. 6)

Zur Montage des Sägeblattes setzen Sie dieses auf die Spindel, wobei Sie darauf achten, daß die Drehrichtungspfeile auf dem Sägeblatt mit der Richtung der Drehrichtungspfeile auf dem Sägeblattgehäuse übereinstimmen. (Abb. 7)

VORSICHT:

- Für alle Länder außerhalb Europas (Abb. 8) Werkseitig ist ein silberner Reduziererring mit 25,4 mm Außendurchmesser auf der Spindel montiert. Der schwarze Reduziererring mit 25 mm Außendurchmesser gehört zum Lieferumfang der Maschine. Bevor Sie das Sägeblatt auf der Spindel montieren, vergewissern Sie sich immer, daß der für die Bohrung des Sägeblattes richtige Reduziererring auf der Spindel angebracht ist.
- Für europäische Länder (Abb. 8) Werkseitig ist der Reduziererring mit 30 mm Außendurchmesser auf der Spindel montiert.

Montieren Sie den Flansch und die Sechskantschraube. Benutzen Sie dazu den Steckschlüssel, um die Sechskantschraube durch Linksdrehung anzuziehen. Dabei drücken Sie die Spindelarretierung. Anschließend die Sechskantschraube für die Mittelabdeckung rechtsdrehend wieder festziehen. (Abb. 9)

VORSICHT:

Benutzen Sie ausschließlich den von Makita gelieferten Steckschlüssel, um die Sechskantschraube anzuziehen. Andernfalls kann es zu einem zu starken oder zu schwachen Anziehen der Sechskantschraube kommen. Dies könnte zu Verletzungen führen. Der Hebelweg dieses Schlüssels ist auf das Drehmoment der Sechskantschraube abgestimmt.

Schutzhaube (Abb. 10)

Wenn Sie den Griff senken und den Arretierhebel der Feststelleinrichtung seitlich bis zum Anschlag gedrückt haben, hebt sich die Schutzhaube automatisch. Die Schutzhaube kehrt in die Ausgangsstellung zurück, wenn der Bearbeitungsvorgang beendet ist und der Griff wieder angehoben wird. NIEMALS DIE SCHUTZHAUBE ENTFERNEN. Im Interesse Ihrer eigenen Sicherheit sollten Sie die Schutzhaube stets in ordnungsgemäßem Zustand halten. Störungen im Betrieb der Schutzhaube müssen sofort behoben werden. BENUTZEN SIE DAS GERÄT NIE MIT EINER FEHLERHAFTEN SCHUTZHAUBE. Wenn die transparente Schutzhaube verschmutzt ist oder soviel Sägemehl an ihr haftet, daß das Sägeblatt und/oder das Werkstück nicht mehr ohne weiteres sichtbar sind, sollten Sie den Netzstecker ziehen und die Schutzhaube mit einem feuchten Tuch sorgfältig reinigen. Benutzen Sie keine Lösungsmittel oder Reinigungsmittel auf Petroleumbasis wie Reinigungsbenzin.

Staubsaack (Abb. 11 u. 12)

Den Staubsaack auf den Staubauslaßstutzen der Maschine befestigen. Wenn der Staubsaack etwa zur Hälfte gefüllt ist, nehmen Sie ihn von der Maschine und ziehen die Verschlusschiene heraus. Leeren Sie den Inhalt des Staubsaacks und klopfen Sie den Staubsaack leicht aus. Die an den Innenflächen haftenden Staubpartikel, die den weiteren Staubsammelvorgang beeinträchtigen können, werden so entfernt. Für staubarmes Arbeiten kann ein Makita-Absauggerät an die Maschine mit Hilfe des Absaugadapters angeschlossen werden. Bei längerem Bearbeiten von Holz oder gewerblichen Einsatz von Materialien, bei denen gesundheitsgefährdende Stäube entstehen, ist das Elektrowerkzeug an eine geeignete externe Absaugeinrichtung anzuschließen. Die nationalen Bestimmungen (TRK-Werte) müssen eingehalten werden.

Schaltefunktion

VORSICHT:

- Vor dem Anschließen der Maschine an das Stromnetz stets überprüfen, ob der Schalter ordnungsgemäß funktioniert und beim Loslassen in die AUS-Position zurückkehrt.
- Wenn Sie die Maschine nicht benutzen, entfernen Sie den Einschaltersicherheitsstift und bewahren sie ihn an einem sicheren Ort auf. Dadurch wird unerlaubte Benutzung verhindert.
- Den Schalter nicht ohne vorherige Betätigung der Einschaltarretierung gewaltsam drücken. Hierdurch kann der Schalter beschädigt werden.

Für alle Länder außerhalb Europas (Abb. 13)

Um versehentliche Betätigung des Schalters zu verhindern, verfügt die Maschine über eine Einschaltarretierung. Zum Einschalten der Maschine Einschaltarretierung und danach Schalter drücken. Zum Ausschalten der Maschine den Schalter loslassen.

Für europäische Länder (Abb. 14)

Um versehentliche Betätigung des Schalters zu verhindern, verfügt die Maschine über eine Einschaltarretierung. Zum Einschalten der Maschine den Arretierhebel nach links schieben, Einschaltarretierung und danach Schalter drücken. Zum Ausschalten der Maschine den Schalter loslassen.

Einlegeplatten (Abb. 15)

Diese Maschine ist mit Einlegeplatten im Drehteller versehen. Wenn der Einschnitt nicht bereits werkseitig ausgeführt wurde, muß er vom Bedienenden in die Platte eingesägt werden, bevor das Gerät erstmalig in Betrieb genommen wird. Dazu schalten Sie die Maschine ein und senken das Sägeblatt langsam in die Einlegeplatte.

Zusatzanschlag (Abb. 16 u. 17)

Diese Maschine ist mit einem Zusatzanschlag ausgestattet, der entsprechend **Abb. 16** zu positionieren ist. Bei linksseitiger Neigungswinkeleinstellung ist der Zusatzanschlag in der, wie in **Abb. 17** gezeigten, Position zu verwenden.

Schnitttiefeinstellung (nur bei gezogenem Netzstecker!) (Abb. 18 u. 19)

Diese Maschine ist werkseitig so eingestellt, daß mit einem Sägeblattdurchmesser von 260 mm die maximale Schnitttiefe erzielt wird. Wenn der Durchmesser des Sägeblattes durch Nachschärfen verringert wurde, stellen Sie die Justierschraube mit dem Steckschlüssel folgendermaßen ein:

Das Sägeblatt wird gesenkt, indem Sie die Schraube im Uhrzeigersinn drehen; es wird gehoben, indem Sie die Schraube gegen den Uhrzeigersinn drehen. Dabei muß der Abstand zwischen Anschlagleiste und dem Eintauchpunkt des Sägeblattes in die Einlegeplatte bei voll abgesehenem Sägeblatt ca. 135 mm betragen. Das Sägeblatt darf nach der Einstellung bei abgesehenem Sägekopf keine Teile im unteren Sägetischbereich berühren. Dies Prüfen Sie durch manuelles Drehen des Sägeblattes.

Einstellung des Gehrungswinkels (Abb. 20)

Lösen Sie den Griff durch Linksdrehung. Zur Verstellung des Drehtellers drücken Sie den Sperrhebel nach unten. Bewegen Sie den Griff, bis der Pfeil auf den gewünschten Winkel der Gehrungswinkelskala zeigt, und ziehen Sie dann den Griff durch Rechtsdrehung fest.

VORSICHT:

Zur Verstellung des Drehtellers den Sägekopf vollständig anheben.

Einstellung des Neigungswinkels (Abb. 21 u. 22)

Der Sägekopf kann um 45° nach links geneigt werden, sofern sich der Zusatzanschlag wie in **Abb. 17** gezeigt in der linken Stellung befindet. Zur Neigungswinkel-Einstellung lösen Sie den Arretierhebel auf der Rückseite der Maschine. Neigen Sie das Sägeblatt nach links, bis der Pfeil auf den gewünschten Winkel der Neigungswinkel-Einstellskala zeigt. Ziehen Sie den Arretierhebel fest, um den Sägekopf zu sichern.

VORSICHT:

Neigen Sie den Sägekopf nur in der vollständig angehebenen Position.

Werkstückspaneinrichtung

WARNUNG:

Das Werkstück muß vor dem Schnittvorgang fest und unverrückbar mit der Schraubzwinde gesichert werden. Bei nicht ordnungsgemäß gesichertem Werkstück besteht **VERLETZUNGSGEFAHR**. Ebenfalls können Maschine und/oder Werkstück beschädigt werden. Das Werkstück erst nach Stillstand des Sägeblattes aus der gesicherten Position herausnehmen.

1. Vertikalschraubzwinde (Abb. 23 u. 27)

Die Vertikalschraubzwinde kann auf dem Parallelanschlag oder Seitenanschlag (Sonderzubehör) montiert werden. Setzen Sie den Stehbolzen in die Bohrung des Parallelanschlags oder Seitenanschlags und ziehen Sie die Flügelschraube zur Sicherung des Stehbolzens fest. Stellen Sie den Schraubzwingenarm auf die Abmessungen des Werkstücks ein und sichern Sie ihn mit der Flügelschraube. Drücken Sie das Werkstück flach gegen Parallelanschlag und Drehteller. Bringen Sie das Werkstück in die gewünschte Schnittposition und sichern Sie es durch Festziehen der Feststellschraube.

VORSICHT:

Das Werkstück muß bei allen Arbeiten mit der Schraubzwinde so gesichert werden, daß es sowohl auf dem Drehteller als auch am Parallelanschlag anliegt.

Falls Maschinenteile mit der Schraubzwinde in Berührung kommen, ändern Sie die Position des Schraubzwingenarms. Anschließend das Werkstück, wie zuvor beschrieben, ordnungsgemäß sichern.

VORSICHT:

Wenn Sie lange Werkstücke schneiden, benutzen Sie zusätzliche Stützen, die ebenso hoch sind wie die Drehplattenoberfläche (**Abb. 24**)

2. Horizontalschraubzwinde (Sonderzubehör) (Abb. 25 u. 26)

Die Horizontalschraubzwinde kann rechts oder links am Maschinentisch montiert werden. Bei Gehrungsschnitten $\geq 15^\circ$ montieren Sie die Horizontalschraubzwinde auf der Drehtellerdrehrichtung entgegengesetzten Seite.

Die Horizontalschraubzwinde ist mit einer Schnellverstellung ausgerüstet. Den Drehknopf linksdrehend lösen und die Schraubstockspindel vor oder zurückziehen. Den Sperrhebel durch Rechtsdrehung des Drehknopfes kurz vor Anlage der Schraubstockplatte am Werkstück in die obere Position bringen. Das Werkstück kann jetzt mit dem Drehknopf gesichert werden. Sollte sich der Sperrhebel durch gewaltsames Vorgehen nicht in der oberen Position befinden, den Drehknopf lösen und wieder festziehen.

3. Auflageverlängerung und Montagestütze (Sonderzubehör)

Die Auflageverlängerung und Montagestütze können zur waagerechten Werkstückauflage rechts und links am Maschinentisch befestigt werden. Zur Montage, wie in **Abb. 27** gezeigt, die Teile montieren und anschließend mit den Flügelschrauben sichern. Bei längeren Werkstücken die Führungsstangen mit Montagestütze montieren (Sonderzubehör). (**Abb. 28**)

VORSICHT:

Beim Schneiden von langen Werkstücken stets das Werkstück mit Stützen gleicher Höhe wie die Drehtelleroberfläche abstützen. Die gewährleistet eine hohe Schnittgenauigkeit und sicheres Arbeiten mit der Maschine.

Betrieb

VORSICHT:

- Vor dem Betrieb den Sägekopf durch Herausziehen des Verriegelungsstiftes entriegeln.
- Vergewissern Sie sich vor der Betätigung des Schalters, daß eine Berührung des Sägeblatts mit dem Werkstück oder Teilen der Maschine ausgeschlossen ist.
- Üben Sie beim Schneiden keinen übermäßigen Druck auf den Sägekopf aus. Zu starker Druck kann zu Überlastung des Motors und/oder verminderter Schnittleistung führen.
- Zum Erreichen der höchsten Schnittgenauigkeit den Sägekopf nur mit gemäßigttem Vorschubdruck nach unten bewegen. Bei zu großem Vorschub oder seitlicher Krafteinwirkung auf den Sägekopf kann das Sägeblatt in Schwingung versetzt werden und dadurch zusätzlich Sägespuren am Werkstück hinterlassen.
- Die Schnittlinie sollte rechts oder links von der Nut der Einlegeplatten verlaufen. Der Materialverlust wird durch die Sägeblattstärke bestimmt.

Schalten Sie die Maschine ein und warten Sie, bis sie ihre volle Drehzahl erreicht hat. Erst dann drücken Sie den Arretierhebel der Feststelleinrichtung und senken den Griff vorsichtig. Sobald das Sägeblatt das Werkstück berührt, drücken Sie langsam auf den Griff, um den Schnitt auszuführen. Wenn der Schnitt beendet ist, schalten Sie das Gerät aus und WARTEN, BIS DAS SÄGEBLATT VOLLSTÄNDIG ZUM STILLSTAND GEKOMMEN IST, bevor Sie den Sägekopf in die obere Position bringen. Andernfalls könnten kleine Abschnitte vom Sägeblatt erfaßt und weggeschleudert werden.

(Abb. 29)

1. Gehrungsschnitte

Siehe Abschnitt "Einstellung des Gehrungswinkels".

2. Neigungsschnitte (Abb. 30)

- Linksseitige Neigungsschnitte können in einem Neigungswinkel von 0° – 45° durchgeführt werden.
- Bringen Sie den Zusatzanschlag in die in **Abb. 17** gezeigte linke Stellung. Lösen Sie den Arretierhebel und stellen den Sägekopf auf den gewünschten Neigungswinkel ein. Achten Sie darauf, den Hebel wieder fest anzuziehen, um den Griff im eingestellten Schrägstellungswinkel zu sichern. Sichern Sie das Werkstück mit der Werkstücks-panneinrichtung. Schalten Sie die Maschine ein. Nach Erreichen der max. Drehzahl den Sägekopf in das Werkstück eintauchen und den Schnittvorgang unter paralleler Druckausübung zum Sägeblatt mit einer Schubbewegung des Sägekopfes in Richtung des Parallelenschlags durchführen. Nach Beendigung des Schnittvorgangs Maschine ausschalten UND DEN STILLSTAND DES SÄGEBLATTES ABWARTEN, bevor Sie den Sägekopf in die Ausgangsposition zurückschwenken.

VORSICHT:

- Bei Neigungsschnitten kann das Sägeblatt auf dem Werkstückabschnitt seitlich aufliegen. Durch Anheben des Sägekopfes bei laufender Maschine kann das Werkstück erfaßt und herausgeschleudert werden und Verletzungen verursachen. Sägekopf immer nur bei Sägeblattstillstand anheben.
- Üben Sie den Druck auf den Sägekopf immer nur parallel zum Sägeblatt in radialer Krafrichtung aus. Axiale Krafteinwirkung verschlechtert die Bearbeitungsgenauigkeit.
- Achten Sie bei Neigungsschnitten stets darauf, den Zusatzanschlag, wie in **Abb. 17** gezeigt, in die linke Stellung zu bringen.

3. Doppelgehrungsschnitte (Schifterschnitte)

Unter Doppelgehrungsschnitten versteht man den Bearbeitungsvorgang mit gleichzeitiger Neigungswinkel- und Gehrungswinkeleinstellung. Die Kombinationsmöglichkeiten entnehmen Sie nachstehender Tabelle.

Neigungswinkel	Gehrungswinkel
45°	Links und rechts 0° – 45°

Zum Doppelgehrungsschnitt beachten Sie außerdem die Hinweise unter "Gehrungsschnitt" und "Neigungsschnitt".

4. Schneiden von dünnwandigen

Leichtmetallprofilen (Abb. 31)

Zur Werkstücksicherung verwenden Sie – wie in **Abb. 31** gezeigt – Zulagen aus Hartholz o.ä., um Verformungen des Materials während des Schneidvorgangs zu vermeiden. Benutzen Sie beim Schneiden von dünnwandigen Aluminium-Werkstoffen eine Schneidflüssigkeit, damit sich keine Aluminium-Rückstände am Sägeblatt ansammeln.

VORSICHT:

Vollmaterialien mit großem Querschnitt und Rundmaterial dürfen nicht bearbeitet werden. Beim Sägevorgang kann sich das Material lösen bzw. Rundmaterial kann nicht sicher befestigt werden.

5. Zwischenbrett (Abb. 32)

Durch das Benutzen eines Zwischenbretts können Sie die Werkstücke ausrißfrei sägen. Die Bohrungen im Parallelanschlag dienen als Befestigungshilfe für ein Zwischenbrett.

VORSICHT:

- Benutzen Sie glatt gehobeltes Holz gleichmäßiger Dicke als Zwischenbrett.
- Beachten Sie die Abmessungen gem. **Abb. 32**.

6. Verwendung des Seitenanschlags (Abb. 33)

Der Seitenanschlag erlaubt wiederholt, längengleiche Schnitte zwischen 240 und 400 mm. Montieren Sie den Seitenanschlag an der Auflageverlängerung, wie in **Abb. 33** gezeigt.

Die Schnittlinie auf dem Werkstück an der Nut der Einlegeplatten rechts oder links ausrichten, den Seitenanschlag am Werkstückende anlegen und mit der Flügelschraube sichern. Für längere Abschnitte kann der Seitenanschlag bei Nichtgebrauch nach vorne umgeklappt werden.

WARTUNG

VORSICHT:

Vor Arbeiten an der Maschine vergewissern Sie sich, daß sich der Schalter in der "AUS-" Position befindet und der Netzstecker gezogen ist.

Schnittwinkeleinstellung

Diese Maschine wurde werkseitig eingestellt und justiert. Die Einstellungen können jedoch durch Transporteinfüsse oder unsachgemäße Behandlung beeinträchtigt werden. Nachfolgend beschriebene Korrekturen können an ihrer Maschine durchgeführt werden.

1) Gehrungswinkel (Abb. 34 u. 35)

Lösen Sie den Griff durch Linksdrehung und drehen Sie den Drehteller bis zur 0°-Position. Ziehen Sie den Griff wieder fest und lösen Sie die Sechskantschrauben zur Befestigung des Parallelanschlags. Den Parallelanschlag unter Verwendung eines Dreiecks, Anschlagwinkels o.ä. zum Sägeblatt bei abgelenktem Sägekopf rechtwinklig ausrichten. Dabei die rechte Seite des Parallelanschlags verschieben. Die Sechskantschrauben des Parallelanschlags in der Reihenfolge nach **Abb. 35** festziehen.

2) Neigungswinkel

i) 0° Neigungswinkel

Lösen Sie den Arretierhebel, die Sechskantmutter und drehen Sie die Sechskantschraube (A) um 2–3 Umdrehungen linksdrehend heraus. Der Sägekopf wird nach rechts geneigt. (**Abb. 36**) Den Sägekopf absenken und den rechten Winkel zwischen Sägeblatt und Drehtelleroberfläche unter Verwendung eines Dreiecks, Anschlagwinkels o.ä. durch Drehen der Sechskantschraube (A) einstellen. Zur Sicherung der Sechskantschraube (A) die Sechskantmutter festziehen. (**Abb. 37**) Der Markierungspfeil ist nach der korrekten 0°-Einstellung des Sägekopfs auf die 0°-Markierung der Neigungswinkeleinstellskala auszurichten. (**Abb. 38**)

ii) 45° Neigungswinkel

Die 45° Neigungswinkeleinstellung kann erst nach erfolgreicher 0° Neigungswinkeleinstellung durchgeführt werden. Zum Einstellen den Arretierhebel lösen und den Sägekopf bis zum Anschlag in die 45° Position neigen. Falls der Markierungspfeil nicht auf die 45° Markierung der Neigungswinkeleinstellskala zeigt, die Sechskantschraube (B) entsprechend drehen. (**Abb. 38**)

Auswechseln der Kohlebürsten (Abb. 39 u. 40)

Wechseln Sie die Kohlebürsten aus, wenn sie bis zur Verschleißgrenze abgenutzt sind. Die beiden identischen Kohlebürsten sollten gleichzeitig ausgewechselt werden.

Um die Sicherheit und Zuverlässigkeit dieses Gerätes zu gewährleisten, sollten Reparatur-, Wartungs-, und Einstellarbeiten nur von Makita autorisierten Werkstätten oder Kundendienstzentren unter ausschließlicher Verwendung von Makita-Originalersatzteilen ausgeführt werden.

Geräusch- und Vibrationsentwicklung des Modells LS1040

Die typischen A-bewerteten Geräuschpegel betragen:

Schalldruckpegel:93 dB (A)

Schalleistungspegel:106 dB (A)

– Gehörschutz tragen. –

Der gewichtete Effektivwert der Beschleunigung beträgt nicht mehr als $2,5\text{m/s}^2$.

CE-KONFORMITÄTSERKLÄRUNG

Hiermit erklärt der Unterzeichnete, Yasuhiko Kanzaki, Bevollmächtigter von Makita Corporation, 3-11-8 Sumiyoshi-Cho, Anjo, Aichi, 446-8502 Japan, daß dieses von der Firma Makita Corporation in der Volksrepublik China hergestellte Produkt

(Serien-Nr.: Serienproduktion)

gemäß den Ratsdirektiven 73/23/EWG, 89/336/EWG und

98/37/EG mit den folgenden Normen bzw. Normendokumenten übereinstimmen:

EN61029, EN55014, EN61000.

Yasuhiko Kanzaki **CE97**



Direktor

MAKITA INTERNATIONAL EUROPE LTD.

Michigan Drive, Tongwell, Milton Keynes, Bucks
MK15 8JD, ENGLAND

1 Podstawa	26 Dźwignia	51 Linia cięcia
2 Śruba sześciokątna	27 Podstawa obrotowa	52 Bruzda
3 Płyta pomocnicza	28 Płyta z nacięciem	53 Zacisk
4 Nakrętka	29 Prowadnica	54 Klocek rozporowy
5 Śruba	30 Śruba regulacyjna	55 Kształtownik aluminiowy
6 Pokrywa środkowa	31 Wskaźnik	56 Klocek rozporowy
7 Klucz nasadkowy	32 Podziałka kąta poziomego	57 Ponad 10 mm
8 Blokada wałka	33 Sprężyna zatraskowa	58 Ponad 460 mm
9 Odkręcanie	34 Uchwyt	59 Otwór
10 Strzałka	35 Dźwignia	60 Ogranicznik regulowany
11 Obudowa brzeszczotu	36 Podziałka kąta pionowego	61 Śruba
12 Strzałka	37 Wskaźnik	62 Ekierka
13 Brzeszczot	38 Drażek zacisku	63 Śruby sześciokątne
14 Trzpień obrotowy	39 Śruby	64 Ramię
15 Kołnier	40 Osłona prowadząca	65 Śruba sześciokątna (A)
16 Pierścień	41 Ramię zacisku	66 Górna powierzchnia podstawy obrotowej
17 Kołnier	42 Śruba zaciskowa	67 Uchwyt ramienia
18 Śruba sześciokątna	43 Podpórka	68 Śruba sześciokątna (B)
19 Zakręcanie	44 Gałka	69 Oznaczenie limitu
20 Pokrywa zabezpieczająca	45 Występ	70 Śrubokręt
21 Dysza na pył	46 Uchwyt	71 Pokrywa pojemnika na szczoteczki
22 Torba na pył	47 Śruba	
23 łącznik	48 Układ mocowania	
24 Przycisk blokady	49 Śruba	
25 Spust włącznika	50 Pręt 12	

DANE TECHNICZNE

Model

LS1040

Średnica brzeszczotu	255 mm — 260 mm
Średnica otworu (wałka)	
Wszystkie kraje pozaeuropejskie	25,4 mm i 25 mm
Kraje europejskie	30 mm
Maksymalna zdolność cięcia (wys. x szer.) brzeszczotem o średnicy 260 mm	

Kąt pionowy \ Kąt poziomy	Kąt poziomy	
	0°	45° (lewy i prawy)
0°	93 mm x 95 mm 69 mm x 135 mm	93 mm x 67 mm 69 mm x 95 mm
45° (lewy)	53 mm x 95 mm 35 mm x 135 mm	49 mm x 67 mm 35 mm x 94 mm

Prędkość bez obciążenia (obr./min)	4.600
Wymiary (dług. x szer. x wys.)	530 mm x 476 mm x 532 mm
Ciężar netto	11 kg

- W związku z ciągłym programem badawczo-rozwojowym podane dane techniczne mogą ulec zmianie bez uprzedzenia.
- Uwaga: Dane techniczne mogą różnić się w zależności od kraju.

Przeznaczenie

Narzędzie przeznaczone jest do dokładnego cięcia prostego i ukośnego elementów drewnianych. Stosując odpowiednie tarcze, można przy jego użyciu również ciąć aluminium.

Zasilanie

Urządzenie powinno być podłączane wyłącznie do źródła zasilania o takim samym napięciu jak podane na tabliczce znamionowej urządzenia i może pracować tylko przy zasilaniu jednofazowym prądem zmiennym. Posiada ono podwójną izolację zgodną Normą Europejską i dlatego może być również podłączane do gniazdek bez uziemienia.

Publiczne sieci niskiego napięcia od 220 V do 250 V

Włączenie i wyłączenie urządzeń elektrycznych powoduje fluktuacje napięcia. Posługiwanie się urządzeniem przy niekorzystnych parametrach sieci zasilania może mieć niekorzystny wpływ na działanie innych urządzeń. Przy impedancji sieci zasilania mniejszej lub równej 0,30 W można założyć, że niekorzystne efekty nie wystąpią. Gniazdo zasilania używane do podłączenia tego urządzenia musi być zabezpieczone bezpiecznikiem topikowym lub przerywaczem o wolno wzrastającej charakterystyce.

INSTRUKCJE BEZPIECZEŃSTWA

Ostrzeżenie! Używając urządzeń elektrycznych podstawowe środki ostrożności muszą być zawsze zachowane, aby zmniejszyć ryzyko ognia, porażenia prądem i uszkodzenia ciała, włączając poniższe. Przeczytaj wszystkie podane instrukcje przed próbą użycia tego produktu i zachowaj je do wglądu.

Dla bezpiecznego użycia:

- 1. Utrzymuj miejsce pracy w czystości**
Zabalganione miejsca i stoły warsztatowe sprzyjają wypadkom.
- 2. Zastanów się nad warunkami pracy**
Nie wystawiaj urządzeń elektrycznych na deszcz. Nie używaj urządzeń elektrycznych w wilgotnych lub mokrych miejscach. Utrzymuj miejsce pracy dobrze oświetlone. Nie używaj urządzeń elektrycznych w obecności łatwopalnych płynów lub gazów.
- 3. Chroni się przed porażeniem prądem**
Zapobiegaj kontaktom ciała z uziemionymi powierzchniami (np. rurami, grzejnikami, kuchenkami, lodówkami).
- 4. Nie pozwalaj zbliżyć się dzieciom**
Nie pozwalaj wizytującym osobom dotykać urządzenia lub przedłużacza. Wszystkie wizytujące osoby nie powinny zbliżyć się do miejsca pracy.
- 5. Zachowaj nieczynne urządzenia**
Nieużywane urządzenia powinny być przechowywane w suchych, wysokich lub zamkniętych miejscach tak, aby były niedostępne dla dzieci.
- 6. Nie przeciążaj urządzenia**
Wykona ono pracę lepiej i bezpieczniej, pracując w sposób, dla którego zostało ono zaprojektowane.
- 7. Używaj poprawnego urządzenia**
Nie nadużywaj małych lub dodatkowych urządzeń do wykonania pracy urządzeń do dużej pracy. Nie używaj urządzeń do celów, do których nie zostały przeznaczone; na przykład, nie używaj piły tarczowej do przecinania gałęzi lub kłód drzew.

8. Ubierz się odpowiednio

Nie noś luźnych ubrań lub biżuterii. Mogą one zostać zahaczone o ruchome części. Gumowe rękawiczki i przeciwpoślizgowe buty są wskazane przy pracy na dworze. Zaleca się noszenie ochrony na głowę przytrzymującej długie włosy.

9. Użyj okularów ochronnych i ochraniaczy uszu

Użyj masek na twarz lub masek przeciwpyłowych jeżeli czynność cięcia wytwarza pył.

10. Podłącz urządzenie używając piły

Jeżeli urządzenia posiadają podłączenia do urządzeń do usuwania i składowania pyłu, upewnij się, że są one poprawnie podłączone i użyte.

11. Uważaj na przewód sieciowy

Nigdy nie noś urządzenia trzymając za przewód i nie odłączaj go od gniazda przez pociągnięcie przewodu. Chroni przewód przed ciepłem, olejem i ostrymi krawędziami.

12. Pewnie mocuj obrabiane elementy

Użyj ścisków lub imadła do zamocowania obrabianych elementów. Jest to bezpieczniejsze niż używanie rąk, a dodatkowo zwalnia obie ręce do obsługiwanego urządzenia.

13. Używając urządzenie, nie oddalaj go zbyt blisko siebie

Cały czas trzymaj dobrze ustawione nogi i równowagę.

14. Pamiętaj o dobrej konserwacji urządzenia

Utrzymuj urządzenie ostre i czyste dla jego lepszego i bezpieczniejszego działania. Wykonaj podane instrukcje w celu smarowania lub wymiany elementów wyposażenia. Regularnie sprawdzaj przewody urządzenia, i jeżeli są uszkodzone, oddaj je do naprawy do autoryzowanego serwisu. Regularnie sprawdzaj przewody przedłużające i wymień je, jeżeli są uszkodzone. Utrzymuj uchwyty suche, czyste i nie zabrudzone olejem lub smarem.

15. Odłącz urządzenia

Przed konserwacją urządzenia lub zmianą wyposażenia takiego jak tarcze, końcówki robocze i noże, gdy nie jest ono używane.

16. Wyjmij klucze regulacyjne

Nabierz zwyczaju sprawdzania czy klucze regulacyjne są usunięte z urządzenia przed jego użyciem.

17. Unikaj przypadkowych uruchomień

Nie noś podłączonego urządzenia z palcem na włączniku. Upewnij się, że urządzenie jest wyłączone, gdy je podłączasz do zasilania.

18. Zastosuj przedłużacz używając urządzenia na dworze

Gdy urządzenie używane jest na dworze, stosuj tylko przedłużacze przeznaczone i oznaczone do pracy na dworze.

19. Bądź uważny

Patrz co robisz. Bądź rozsądny. Nie używaj urządzenia, gdy jesteś zmęczony.

20. **Sprawdzaj uszkodzone części**
 Przed dalszym użyciem urządzenia, osłona lub inne części, które są uszkodzone, muszą być uważnie sprawdzone, aby upewnić się, że będą poprawnie działać i wykonywać przeznaczone im funkcje. Sprawdzaj ustawienia ruchomych części, oprawy ruchomych części, pęknięcia części, zamocowania, i jakiegokolwiek inne warunki, które mogą wpływać na działanie. Osłona lub inne części, które są uszkodzone, powinny być naprawione lub wymienione przez autoryzowany serwis, jeżeli w instrukcji nie podano inaczej. Uszkodzone przelączniki powinny być wymienione przez autoryzowany serwis. Nie używaj urządzenia, jeżeli wyłącznik nie może go włączyć lub wyłączyć.
21. **Ostrzeżenie**
 Użycie jakiegokolwiek innego wyposażenia lub części dodatkowych innych niż zalecane w tej instrukcji obsługi lub katalogu, może stworzyć ryzyko uszkodzenia ciała.
22. **Naprawy urządzenia powinny być wykonywane tylko przez specjalistę**
 To urządzenie jest wykonane zgodnie z odpowiednimi zasadami bezpieczeństwa. Naprawa urządzeń elektrycznych może być wykonana wyłącznie przez specjalistę, gdyż w przeciwnym wypadku może ono stanowić zagrożenie dla użytkownika.
12. **Trzymaj pewnie uchwyt. Pamiętaj, że piła porusza się lekko do góry lub do dołu podczas rozpoczynania i kończenia cięcia.**
13. **Nie wykonuj żadnych czynności trzymając przycinany przedmiot w ręce. Podczas wszelkich prac przycinany przedmiot musi być dobrze zamocowany na podstawie obrotowej i osłonie prowadzącej przy pomocy zacisku. Nigdy nie przytrzymuj przycinanego przedmiotu ręką.**
14. **Trzymaj ręce z daleka od toru brzeszczotu. Unikaj kontaktu z poruszającym się bezwładnie brzeszczotem. Może on ciągle być przyczyną poważnego zranienia.**
15. **Nigdy nie wkładaj rąk w pobliże brzeszczotu.**
16. **Upewnij się, czy brzeszczot nie dotyka przycinanego przedmiotu przed włączeniem urządzenia.**
17. **Przed faktycznym przycinaniem pozwól urządzeniu popracować przez chwilę bez obciążenia. Zwróć uwagę na drgania lub bicie osiowe, które mogą wskazywać na złe założenie lub wyważenie brzeszczotu.**
18. **Przed rozpoczęciem przycinania zaczekaj, aż brzeszczot osiągnie pełną prędkość.**
19. **Natychmiast przerwij pracę, jeżeli zauważysz jakąkolwiek nieprawidłowość.**
20. **Nie próbuj unieruchamiać spustu w położeniu ON.**
21. **Przed wykonaniem przeglądu lub regulacji urządzenia wyłącz zasilanie i zaczekaj, aż brzeszczot zatrzyma się.**
22. **Bądź zawsze uważny, szczególnie podczas powtarzalnych, monottonnych prac. Nie daj się zwieść pozornemu bezpieczeństwu. Brzeszczoty są niezwykle niebezpieczne.**
23. **Zawsze używaj wyposażenia zalecanego w niniejszej instrukcji obsługi. Używanie niewłaściwego wyposażenia, np. tarczy ściernych, może spowodować zranienie.**
24. **Obchodź się właściwie z przewodem zasilania. Nigdy nie szarp go, aby odłączyć od gniazdka. Trzymaj przewód z daleka od gorąca, oleju, wody i ostrych brzegów.**
25. **Nie używaj piły do cięcia materiałów innych niż aluminium, drewno lub podobne.**
26. **Podczas cięcia podłączaj piłę do urządzenia zbierającego pył.**
27. **Wybieraj brzeszczot w zależności od ciętego materiału.**
28. **Zachowaj ostrożność podczas wycinania bruzd.**
29. **Wymień płytę z nacięciem, kiedy jest zużyta.**

DODATKOWE ZALECENIA DOTYCZĄCE BEZPIECZEŃSTWA

1. **Zakładaj ochraniacze na oczy.**
2. **Nie uruchamiaj piły bez zamocowanych osłon.**
3. **Nie używaj urządzenia w obecności palnych cieczy i gazów.**
4. **Przed przystąpieniem do pracy sprawdź dokładnie, czy brzeszczot nie jest popękany lub uszkodzony. Natychmiast wymień popękany lub uszkodzony brzeszczot.**
5. **Używaj wyłącznie kołnierzy przeznaczonych dla tego urządzenia.**
6. **Uważaj, abyś nie uszkodził wałka, kołnierzy (szczególnie powierzchni do zakładania) ani śruby. Uszkodzenie tych części może spowodować pęknięcie brzeszczotu.**
7. **Upewnij się, czy podstawa obrotowa jest właściwie zamocowana tak, aby nie przesuwiała się podczas pracy.**
8. **Dla bezpieczeństwa, przed przystąpieniem do pracy usuń wióry, małe kawałki itp. z powierzchni stołu.**
9. **Unikaj przycinania gwoździ. Przed przystąpieniem do pracy sprawdź przycinany przedmiot i usuń z niego wszystkie gwoździe.**
10. **Przed włączeniem urządzenia sprawdź, czy blokada wałka została zwolniona.**
11. **Upewnij się, czy brzeszczot w swoim najniższym położeniu nie dotyka podstawy obrotowej.**

ZACHOWAJ INSTRUKCJĘ OBSŁUGI.

INSTRUKCJA OBSŁUGI

Przenoszenie urządzenia (Rys. 1)

Podczas przenoszenia urządzenia obniżyć całkowicie uchwyt i nacisnąć przetyczkę blokady, aby zablokować uchwyt w pozycji obniżonej. Zamocuj podstawę obrotową przy pomocy uchwytu. Można wtedy wygodnie przenosić urządzenie trzymając za uchwyt do przenoszenia.

OSTRZEŻENIE:

- Najpierw upewnij się, czy urządzenie jest odłączone od zasilania.
- Przetyczka blokady ma zastosowanie wyłącznie przy przenoszeniu, a nie przy cięciu.

Zakładanie płyty pomocniczej (Rys. 2 i 3)

Założ płytę pomocniczą, używając nacięcia w podstawie urządzenia, i zamocuj ją, dokręcając śrubę sześciokątną.

Piła mocowana do stołu (Rys. 4)

Urządzenie powinno być przykręcone dwiema śrubami, używając otworów na śruby znajdujących się w jego podstawie, do równej i stabilnej powierzchni. Pomoże to zapobiec przewróceniu się i możliwemu zranieniu.

Zakładanie lub zdejmowanie brzeszczotu

Ważne:

Przed zakładaniem lub zdejmowaniem brzeszczotu zawsze upewnij się, czy urządzenie jest wyłączone i odłączone od zasilania.

Aby zdjąć brzeszczot, poluzuj kluczem nasadkowym śrubę sześciokątną mocującą pokrywę środkową, obracając ją więcej niż trzy obroty przeciwnie do ruchu wskazówek zegara. Podnieś pokrywę zabezpieczającą i środkową. (Rys. 5)

Nacisnij blokadę wałka, aby brzeszczot nie mógł się obracać, i odkręć kluczem nasadkowym zgodnie z ruchem wskazówek zegara śrubę sześciokątną. Następnie wyjmij śrubę sześciokątną, kołnierz zewnętrzny i brzeszczot. (Rys. 6)

Aby założyć brzeszczot, załóż go na trzpień obrotowy, upewniając się, czy kierunek strzałki na powierzchni brzeszczotu zgadza się z kierunkiem strzałki na jego obudowie. (Rys. 7)

OSTRZEŻENIE:

- **Dotyczy wszystkich krajów pozaeuropejskich (Rys.8)**

Srebrny pierścień o średnicy zewnętrznej 25,4 mm jest fabrycznie założony na trzpień obrotowy. Czarny pierścień o średnicy zewnętrznej 25 mm jest dołączony jako wyposażenie standardowe. Przed założeniem brzeszczotu na trzpień obrotowy, zawsze upewnij się, czy na trzpień obrotowy założony jest pierścień właściwy dla otworu na wałek w brzeszczocie.

- **Dotyczy krajów europejskich (Rys. 8)**

Pierścień o średnicy zewnętrznej 30 mm jest fabrycznie założony na trzpień obrotowy.

Założ kołnierz i śrubę sześciokątną, a następnie zakręć mocno, przeciwnie do ruchu wskazówek zegara, kluczem nasadkowym śrubę sześciokątną, jednocześnie naciskając na blokadę wałka. Następnie zakręć zgodnie z ruchem wskazówek zegara śrubę sześciokątną, aby zamocować pokrywę środkową. (Rys. 9)

OSTRZEŻENIE:

Do zakładania i zdejmowania brzeszczotu używaj wyłącznie dołączonego klucza nasadkowego firmy Makita. Niestosowanie się do tego zalecenia może spowodować nadmierne lub niedostateczne dokręcenie śruby sześciokątnej. Może to spowodować zranienie.

Pokrywa zabezpieczająca (Rys. 10)

Podczas obniżania uchwytu pokrywa zabezpieczająca podnosi się automatycznie. Pokrywa wraca do pierwotnego położenia, po zakończeniu przecinania i podniesieniu uchwytu. NIGDY NIE DOPROWADZAJ DO USZKODZENIA ANI NIE ZDEJMUJ POKRYWY ZABEZPIECZAJĄCEJ. W interesie osobistego bezpieczeństwa leży utrzymywanie pokrywy zabezpieczającej w dobrym stanie. Jakikolwiek niewłaściwe działanie pokrywy zabezpieczającej powinno być natychmiast skorygowane. NIGDY NIE UŻYWAJ URZĄDZENIA Z USZKODZONĄ POKRYWĄ ZABEZPIECZAJĄCĄ. Jeżeli przezroczysta pokrywa zabezpieczająca zabrudzi się albo pokryje pyłem od cicia w taki sposób, że brzeszczot i/lub przecinany przedmiot nie będą łatwo widoczne, odłącz piłę od zasilania i starannie wyczyść pokrywę mokrą ścierką. Do czyszczenia plastikowej pokrywy nie używaj rozpuszczalników ani oczyszczaczy opartych na naftcie.

Torba na pył (Rys. 11 i 12)

Stosowanie torby na pył daje czyste cięcie i łatwe zbieranie pyłu. Aby założyć torbę na pył, załóż włot torby na dyszę na pył. Kiedy torba będzie wypełniona w przybliżeniu w połowie, zdejmij ją z urządzenia i wyciągnij łącznik. Usuń zawartość torby, przechylając ją lekko, aby usunąć cząstki, które przywarły do ścian wewnętrznych, a które mogą przeszkadzać w dalszym zbieraniu pyłu.

Działanie przełącznika

OSTRZEŻENIE:

- Przed podłączeniem urządzenia do zasilania zawsze sprawdź, czy spust włącznika działa poprawnie i powraca do położenia „OFF” po zwolnieniu.
- Kiedy nie używasz urządzenia, wyjmij przycisk blokady i przechowuj go w bezpiecznym miejscu. Zapobiega to używaniu urządzenia przez nieuprawnione do tego osoby.
- Nie pociągaj mocno za spust, nie naciskając jednocześnie przycisku blokady. Może to spowodować pęknięcie przełącznika.

Wszystkie kraje pozaeuropejskie (Rys. 13)

Urządzenie wyposażone jest w przycisk blokady, aby zapobiec przypadkowemu pociągnięciu za spust. Aby uruchomić urządzenie, naciśnij przycisk blokady i pociągnij za spust. Aby zatrzymać urządzenie, zwolnij spust.

Kraje europejskie (Rys. 14)

Urządzenie wyposażone jest w przycisk blokady, aby zapobiec przypadkowemu pociągnięciu za spust. Aby uruchomić urządzenie, naciśnij dźwignię w lewo, naciśnij przycisk blokady, a następnie pociągnij za spust. Aby zatrzymać urządzenie, zwolnij spust.

Płyta z nacięciem (Rys. 15)

Urządzenie posiada płytę z nacięciem w podstawie obrotowej. Jeżeli bruzda w płycie z nacięciem nie została fabrycznie nacięta, należy ją wykonać przed użyciem urządzenia do przecinania. Włącz urządzenie i obniż delikatnie brzeszczot, aby naciąć bruzdę w płycie z nacięciem.

Prowadnica (Rys. 16 i 17)

Urządzenie posiada prowadnicę, która powinna pierwotnie być ustawiona tak, jak pokazano na **Rys. 16**. Jednak podczas wykonywania cięcia pod kątem pionowym nachylonym w lewo ustaw ją w położeniu lewym, tak jak pokazano na **Rys. 17**.

Zachowanie maksymalnej zdolności cięcia (Rys. 18 i 19)

Przed próbą jakiegokolwiek regulacji odłącz urządzenie od zasilania. Urządzenie jest fabrycznie ustawione tak, aby zapewnić maksymalną zdolność cięcia dla brzeszczotu 260 mm. Kiedy średnica brzeszczotu zmniejszy się na skutek ostrzenia, ustaw śrubę regulacji głębokości obracając ją kluczem nasadkowym. Ostrze obniża się przy obracaniu śruby regulacji głębokości przeciwnie do ruchu wskazówek zegara, a podnosi się przy obracaniu jej zgodnie z ruchem wskazówek zegara. Ustaw śrubę tak, aby w chwili, gdy uchwyt jest w najniższym położeniu, pomiędzy czołową powierzchnią osłony prowadzącej a punktem, gdzie przedni brzeg brzeszczotu wchodzi w nacięcie była odległość około 135 mm. Kiedy urządzenie jest odłączone od zasilania, obróć brzeszczot ręką, jednocześnie przytrzymując uchwyt całkowicie obniżony. Upewnij się, czy kiedy uchwyt jest całkowicie obniżony, brzeszczot nie dotyka jakiegokolwiek części podstawy dolnej.

Ustawienie w celu regulacji kąta poziomego (Rys. 20)

Odkręć uchwyt obracając go przeciwnie do ruchu wskazówek zegara. Obróć podstawę obrotową, naciskając jednocześnie sprężynę zatraskową. Kiedy przesuniesz uchwyt do położenia, w którym wskaźnik pokazuje na podziałce kąta poziomego żądany kąt, mocno zakręć uchwyt zgodnie z ruchem wskazówek zegara.

OSTRZEŻENIE:

Podczas obracania podstawy obrotowej koniecznie podnieś całkowicie uchwyt.

Ustawienie w celu regulacji kąta pionowego (Rys. 21 i 22)

Brzeszczot pochyla się o 45° w lewo tylko wtedy, gdy prowadnica jest ustawiona w położeniu lewym, tak jak pokazano na **Rys. 17**. Aby ustawić kąt pionowy, odkręć dźwignię z tyłu urządzenia. Przechyl brzeszczot w lewo, tak aby wskaźnik pokazywał żądany kąt na podziałce kąta pionowego. Następnie zakręć mocno dźwignię, aby zamocować ramię.

OSTRZEŻENIE:

Podczas pochylania brzeszczotu koniecznie podnieś całkowicie uchwyt.

Mocowanie przecinanych przedmiotów

OSTRZEŻENIE:

Jest rzeczą bardzo ważną aby zawsze właściwie i mocno zamocować przecinany przedmiot w zacisku. Niestosowanie się do tego zalecenia może spowodować uszkodzenie urządzenia i zniszczenie przecinanego przedmiotu. **MOŻE RÓWNIEŻ DOJŚĆ DO ZRANIENIA**. Ponadto, po zakończeniu cięcia **NIE** podnoś ostrza, aż nie zatrzyma się ono całkowicie.

1. Zacisk pionowy (Rys. 23 i 27)

Zacisk pionowy może być założony na osłonie prowadzącej lub układzie mocowania (wyposażenie dodatkowe). Włóż drążek zacisku w otwór w osłonie prowadzącej lub układzie mocowania i zakręć śrubę, aby zamocować drążek. Ustaw ramię zacisku w zależności od grubości i kształtu przecinanego przedmiotu i zamocuj je zakręcając śrubę. Dociśnij płasko przecinany przedmiot do osłony prowadzącej i podstawy obrotowej. Umieść przecinany przedmiot w żądanej pozycji cięcia i unieruchom go mocno dokręcając śrubę zaciskową.

OSTRZEŻENIE:

Podczas wszelkich prac przecinany przedmiot musi być dobrze zamocowany na podstawie obrotowej i osłonie prowadzącej przy pomocy zacisku.

Jeżeli jakaś część dotyka zacisku, zmień ułożenie ramienia zacisku. Dociśnij płasko przecinany przedmiot do osłony prowadzącej i podstawy obrotowej. Umieść przecinany przedmiot w żądanej pozycji cięcia i unieruchom go mocno dokręcając śrubę zaciskową zacisku.

OSTRZEŻENIE:

Podczas cięcia długich przedmiotów użyj podpórek o wysokości równej górnej powierzchni podstawy obrotowej. **(Rys. 24)**

2. Zacisk poziomy (wyposażenie dodatkowe)

(Rys. 25 i 26)

Zacisk poziomy może być założony po lewej lub prawej stronie podstawy. Podczas cięcia pod kątem poziomym 15° lub większym załóż zacisk poziomy po stronie przeciwnej do tej, w którą ma być obrócona podstawa obrotowa. Obracanie gałkę zacisku przeciwnie do ruchu wskazówek zegara powoduje zwolnienie śruby i możliwość szybkiego przesuwania wałka zacisku do środka i na zewnątrz. Przy obracaniu gałki zgodnie z ruchem wskazówek zegara śruba pozostaje zamocowana. Aby zamocować przecinany przedmiot, obróć gałkę delikatnie zgodnie z ruchem wskazówek zegara, aż występ znajdzie się w najwyższym położeniu, a następnie zakręć ją mocno. Jeżeli gałka będzie silnie naciskana do środka lub wyciągana na zewnątrz przy jednoczesnym obracaniu zgodnie z ruchem wskazówek zegara, występ może zatrzymać się pod kątem. W takim przypadku przekręć gałkę z powrotem przeciwnie do ruchu wskazówek zegara, aż śruba zostanie zwolniona, a następnie ponownie obróć delikatnie zgodnie z ruchem wskazówek zegara.

3. Uchwyty i układ mocowania (wyposażenie dodatkowe)

Uchwyty i układ mocowania mogą być założone po obu stronach i służyć do wygodnego podparcia w poziomie przecinanych przedmiotów. Załóż je tak, jak pokazano na **Rys. 27**. Następnie zakręć mocno śruby, aby zamocować uchwyty i układ mocowania. (**Rys. 27**)

Podczas przecinania długich przedmiotów użyj układu mocowania z prętami (wyposażenie dodatkowe). Składa się on z dwóch układów mocowania i dwóch prętów 12. (**Rys. 28**)

OSTRZEŻENIE:

Aby zapewnić dokładne cięcie i zapobiec utracie kontroli nad urządzeniem, zawsze podpieraj długie przedmioty, aby znajdowały się na równi z górną powierzchnią podstawy obrotowej.

Postępowanie

OSTRZEŻENIE:

- Przed przystąpieniem do pracy koniecznie zwolnij uchwyt z pozycji obniżonej, wyciągając przetyczkę blokady.
- Przed uruchomieniem urządzenia upewnij się, czy brzeszczot nie styka się z przecinanim przedmiotem itp.
- Podczas cięcia nie wywieraj nadmiernego nacisku na uchwyt. Zbyt duża siła może spowodować przeciężenie silnika i zmniejszenie wydajności cięcia.
- Aby wykonać cięcie, delikatnie naciskaj w dół uchwyt. Jeżeli uchwyt zostanie silnie naciśnięty w dół lub wywarta zostanie siła poprzeczna, brzeszczot zacznie drgać, pozostawi znak (nacięcie) na przecinany przedmiocie i dokładność cięcia zostanie obniżona.

Podczas cięcia przy pomocy urządzenia grubość brzeszczotu jest również odcinana od przecinanego przedmiotu. Dlatego też linia cięcia powinna znajdować się albo po lewej albo po prawej stronie bruzdy w płycie z nacięciem. Włącz urządzenie i zaczekaj aż brzeszczot osiągnie pełną prędkość, przed delikatnym obniżeniem go w celu cięcia. Kiedy brzeszczot zetknie się z przecinany przedmiotem, stopniowo obniżaj uchwyt, aby wykonać cięcie. Kiedy cięcie zostanie zakończone, wyłącz urządzenie i ZACZEKAJ, AŻ BRZESZCZOT ZATRZYMA SIĘ CAŁKOWICIE, przed podniesieniem go do najwyższego położenia. W przeciwnym razie cienki kawałek odciętego materiału może zetknąć się z obracającym się bezwładnie brzeszczotem i zostać niebezpiecznie odrzucony. (**Rys. 29**)

1. Cięcie pod kątem poziomym

Zapoznaj się z poprzednimi wyjaśnieniami zawartymi w „Ustawieniu w celu regulacji kąta poziomego”.

2. Cięcie pod kątem pionowym (Rys. 30)

- Można wykonywać cięcia pod kątem 0°–45° w lewo.
- Ustaw prowadnicę w położeniu lewym, tak jak pokazano na **Rys. 17**. Odkręć dźwignię i przechyl brzeszczot, aby ustawić kąt pionowy. Koniecznie zakręć ponownie dźwignię, aby pewnie zamocować wybrany kąt pionowy. Zamocuj przecinany przedmiot w zacisku. Włącz urządzenie i zaczekaj, aż brzeszczot osiągnie pełną prędkość. Następnie delikatnie obniż uchwyt do najniższego położenia, wywierając nacisk równoległy do brzeszczotu. Kiedy cięcie zostanie zakończone, wyłącz urządzenie i ZACZEKAJ, AŻ BRZESZCZOT ZATRZYMA SIĘ CAŁKOWICIE, przed podniesieniem go do najwyższego położenia.

OSTRZEŻENIE:

- Podczas przecinania pod kątem pionowym przedmiotu zamocowanego po lewej stronie podstawy obrotowej, odcięty fragment pozostaje na brzeszczocie. Jeżeli brzeszczot zostanie uniesiony, kiedy będzie się ciągle obracał, odcięty fragment może zostać pochwycony przez brzeszczot, a jego fragmenty rozrzucone dookoła, co jest niebezpieczne. Brzeszczot powinien być delikatnie uniesiony dopiero po całkowitym zatrzymaniu.
- Podczas naciskania uchwytu w dół, wywieraj nacisk równoległy do brzeszczotu. Jeżeli nacisk będzie wywierany prostopadle do podstawy obrotowej albo kierunku nacisku zmieni się podczas cięcia, dokładność cięcia zostanie obniżona.
- Podczas cięcia pod kątem pionowym zawsze ustaw prowadnicę w położeniu lewym, tak jak pokazano na **Rys. 17**.

3. Równoczesne cięcie pod kątem poziomym i pionowym

Równoczesne cięcie pod kątem poziomym i pionowym można wykonywać dla kątów pokazanych w poniższej tabeli.

Kąt pionowy	Kąt poziomy
45°	Lewy i prawy 0° 45°

Podczas równoczesnego cięcia pod kątem poziomym i pionowym zapoznaj się z „Cięciem pod kątem poziomym” i „Cięciem pod kątem pionowym”.

4. Cięcie kształtowników aluminiowych (Rys. 31)

Podczas mocowania kształtowników aluminiowych użyj klocek rozporowych lub kawałków materiałów odpadowych tak, jak pokazano na Rys. 31, aby zapobiec deformacji aluminium. Podczas cięcia kształtowników aluminiowych używaj smaru do cięcia, aby zapobiec odkładaniu się wiórów na brzeszczocie.

OSTRZEŻENIE:

Nigdy nie próbuj ciąć grubych lub zaokrąglonych kształtowników aluminiowych. Grube kształtowniki aluminiowe mogą poluzować się w trakcie cięcia, a zaokrąglone nie mogą być pewnie zamocowane w urządzeniu.

5. Osłona drewniana (Rys. 32)

Użycie osłony drewnianej pomaga przecinać przedmioty bez odprysków na linii cięcia. Załóż osłonę drewnianą na osłonę prowadzącą wykorzystując otwory znajdujące się w osłonie prowadzącej.

OSTRZEŻENIE:

- Jako osłony drewnianej użyj prostego kawałka drewna o równej powierzchni.
- Z wymiarami zalecanej osłony drewnianej zapoznaj się na Rys. 32

6. Cięcie wielu przedmiotów w tej samej długości (Rys. 33)

Podczas cięcia wielu przedmiotów o tej samej długości od 240 mm do 400 mm, użycie ogranicznika regulowanego (wyposażenie dodatkowe) poprawia wydajność pracy. Zamocuj ogranicznik na uchwycie tak, jak pokazano na Rys. 33. Ustaw linię cięcia na przecinanym przedmiocie naprzeciwko lewej lub prawej strony bruzdy w płycie z nacięciem i, przytrzymując przedmiot, aby się nie poruszał, ustaw ogranicznik równo z końcem przecinanego przedmiotu. Następnie zamocuj ogranicznik śrubą. Kiedy ogranicznik nie jest używany, odkręć śrubę i obróć ogranicznik, aby nie przeszkadzał.

KONSERWACJA

OSTRZEŻENIE:

Przed wykonywaniem jakichkolwiek prac nad urządzeniem zawsze upewnij się, czy urządzenie jest wyłączone i odłączone od zasilania.

Regulacja kąta cięcia

Urządzenie zostało starannie wyregulowane i ustawione w fabryce, ale niedelikatne obchodzenie się może mieć wpływ na wyregulowanie. Jeżeli urządzenie nie jest właściwie wyregulowane, wykonaj, co następuje:

1) Kąt poziomy (Rys. 34 i 35)

Odkręć uchwyt i ustaw podstawę obrotową na zero stopni, obracając ją. Zakręć mocno uchwyt i odkręć śruby sześciokątne na osłonie prowadzącej. Ustaw powierzchnię boczną brzeszczotu prostopadle do powierzchni czołowej osłony prowadzącej, używając ekierki, kwadratowego klocka itp. i przesuwając prawą stronę osłony prowadzącej. Następnie mocno zakręć śruby sześciokątne w osłonie prowadzącej w kolejności pokazanej na Rys. 35.

2) Kąt pionowy

i) Kąt pionowy 0°

Odkręć dźwignię z tyłu urządzenia. Odkręć nakrętkę sześciokątną i przekręć śrubę sześciokątną (A) dwa lub trzy obroty zgodnie z ruchem wskazówek zegara, aby brzeszczot pochylił się w prawo. (Rys. 36)

Obniż całkowicie uchwyt i ustaw powierzchnię boczną brzeszczotu prostopadle do powierzchni górnej podstawy obrotowej, używając ekierki, kwadratowego klocka itp. i obracając śrubę sześciokątną (A) przeciwnie do ruchu wskazówek zegara. Następnie zakręć nakrętkę sześciokątną, aby zamocować śrubę sześciokątną (A). (Rys. 37) Upewnij się, czy wskaźnik na ramieniu pokazuje 0° na podziałce kąta pionowego na ramieniu uchwytu. Jeżeli wskaźnik nie pokazuje 0°, odkręć śrubę mocującą wskaźnik i wyreguluj go. (Rys. 38)

ii) Kąt pionowy 45°

Wyreguluj kąt pionowy 45° dopiero po wyregulowaniu kąta pionowego 0°. Aby wyregulować kąt pionowy 45°, odkręć dźwignię i przechyl brzeszczot całkowicie w lewo. Upewnij się, czy wskaźnik na ramieniu pokazuje 45° na podziałce kąta pionowego na ramieniu uchwytu. Jeżeli wskaźnik nie będzie pokazywał 45°, obracaj śrubę sześciokątną (B) z boku ramienia, aż wskaźnik pokaże 45°. (Rys. 38)

Wymiana szczoteczki węglowej (Rys. 39 i 40)

Wymień szczoteczki węglowe, gdy są one starte do znaku limitu. Dwie identyczne szczoteczki węglowe powinny być wymienione w tym samym czasie.

Aby zapewnić bezpieczeństwo i niezawodność produktu, naprawy i konserwacje lub ustawianie powinny być wykonywane przez autoryzowany serwis Makita.

Szumy i drgania modelu LS1040

Typowe A-ważone poziomy szumów
poziom ciśnienia dźwięku: 93 dB (A).
poziom dźwięku w trakcie pracy: 106 dB (A).
– Noś ochraniacze uszu. –

Typowa wartość ważonej średniej kwadratowej przyspieszenia
nie jest większa niż $2,5 \text{ m/s}^2$.

CE-DEKLARACJA ZGODNOŚCI

Niżej podpisany, Yasuhiko Kanzaki, autoryzowany przez
Korporację Makita, 3-11-8 Sumiyoshi-Cho, Anjo, Aichi, 446-
8502 Japan, deklaruje, iż niniejszy produkt

(Nr seryjny: seria produkcyjna)

wyprodukowany przez Korporację Makita w Ch.R.L jest
zgodny z następującymi standardami lub dokumentami
standaryzacji,

EN61029, EN55014, EN61000

w zgodzie z Dyrektywami Rady 73/23/EEC, 89/336/EEC i 98/
37/EC.

Yasuhiko Kanzaki **CE97**



Dyrektor

MAKITA INTERNATIONAL EUROPE LTD.

Michigan Drive, Tongwell, Milton Keynes, Bucks
MK15 8JD, ENGLAND

1 Основа	25 Пусковой механизм	52 Канавка
2 Болт с шестигранной головкой	26 Рычаг	53 Тиски
3 Вспомогательная пластина	27 Поворотная основа	54 Разделительный блок
4 Гайка	28 Доска с пропилом	55 Алюминиевый профиль
5 Болт	29 Дополнительный щиток	56 Разделительный блок
6 Центральная крышка	30 Регулировочный болт	57 Более 10 мм
7 Торцевой гаечный ключ	31 Указатель	58 Более 460 мм
8 Фиксатор шпинделя	32 Шкала отрезки	59 Отверстие
9 Отвинтите	33 Пружинная защелка	60 Плита установки
10 Стрелка	34 Захват	61 Винт
11 Корпус лезвия	35 Рычаг	62 Треугольная линейка
12 Стрелка	36 Наклонная шкала	63 Болты с шестигранной головкой
13 Лезвие пилы	37 Указатель	64 Рука
14 Шпиндель	38 Анкер тисков	65 Болт с шестигранной головкой (А)
15 Фланец	39 Винты	66 Верхняя поверхность поворотной основы
16 Кольцо	40 Направляющий щиток	67 Держатель руки
17 Фланец	41 Рука тисков	68 Болт с шестигранной головкой (В)
18 Болт с шестигранной головкой	42 Зажимной винт	69 Ограничительная метка
19 Завинтите	43 Опора	70 Отвертка
20 Защитная крышка	44 Регулятор	71 Крышка держателя щеток
21 Лоток для пыли	45 Выступ	
22 Мешок для пыли	46 Держатель	
23 Застежка	47 Винт	
24 Кнопка выключения фиксации	48 Сборка держателей	
	49 Винт	
	50 Анкер 12	
	51 Линия резки	

ТЕХНИЧЕСКИЕ ХАРАКТЕРИСТИКИ

Модель

LS1040

Диаметр лезвия 255 мм — 260 мм

Диаметр отверстия (шпинделя) 25,4 мм и 25 мм

Для всех стран, отличных от европейских стран 30 мм

Для европейских стран 30 мм

Макс. режущая способность (Г x Ш) с лезвием диаметром 260 мм

Угол отрезки \ Угол наклона	0°	45° (влево и вправо)
0°	93 мм x 95 мм 69 мм x 135 мм	93 мм x 67 мм 69 мм x 95 мм
45° (влево)	53 мм x 95 мм 35 мм x 135 мм	49 мм x 67 мм 35 мм x 94 мм

Скорость в незагруженном состоянии (оборотов в мин) 4 600

Размеры (Д x Ш x Г) 530 мм x 476 мм x 532 мм

Вес нетто 11 кг

- Вследствие нашей продолжающейся программы поиска и разработок технические характеристики могут быть изменены без уведомления.
- Примечание: Технические характеристики могут различаться в зависимости от страны.

Предназначенное использование

Этот инструмент предназначен для аккуратной прямой и наклонной резке в дереве. С подходящими лезвиями пилы возможна также резка алюминия.

Источник питания

Инструмент должен быть подсоединен только к источнику питания с напряжением, указанным в табличке номиналов, и может функционировать только от однофазного источника питания переменного тока. В соответствии с Европейским стандартом имеется двойная изоляция, следовательно, возможно использование с розетками без провода заземления.

Для общественных низковольтных распределительных систем между 220 и 250 В

Переключательные операции электрических аппаратов приводят к флуктуациям напряжения. Функционирование этого инструмента при неблагоприятных условиях сети питания может вызвать негативное воздействие на функционирование другого оборудования. С сопротивлением сети питания, равным или меньшим чем 0,30 Ом можно предположить, что негативное воздействие не будет наблюдаться. Розетка сети питания, используемая для этого инструмента, должна быть защищена с помощью предохранителя или защитного схемного выключателя, имеющего медленные характеристики размыкания.

ИНСТРУКЦИИ ПО МЕРАМ БЕЗОПАСНОСТИ

Предостережение! При использовании электрических инструментов следует всегда соблюдать основные меры безопасности для уменьшения опасности пожара, поражения электрическим током и персональных травм, включая следующие.

Прочитайте эти инструкции перед тем, как пытаться управлять этим изделием, и сохраните эти инструкции. Для безопасного функционирования:

- 1. Поддерживайте чистоту на рабочем месте**
Захламленные места и подставки могут привести к травмам.
- 2. Учитывайте рабочую окружающую среду**
Не подвергайте инструменты с электроприводом воздействию дождя. Не используйте инструменты с электроприводом в сырых или влажных местах. Поддерживайте хорошее освещение на рабочем месте. Не используйте инструменты с электроприводом в присутствии возгораемых жидкостей или газов.
- 3. Предохраняйтесь от поражения электрическим током**
Предотвращайте контакт тела с заземленными поверхностями (например, трубами, радиаторами, батареями, холодильниками).
- 4. Держитесь подальше от детей**
Не позволяйте посетителям прикасаться к инструменту или шнуру-удлинителю. Все посетители должны находиться подальше от рабочей области.
- 5. Правильно храните неработающие инструменты**
Если инструменты не используются, они должны храниться в сухом, высоком или закрытом месте, вне досягаемости детей.
- 6. Не прилагайте усилие к инструменту**
Он будет выполнять работу лучше и безопаснее при скорости, для которой он предназначен.

- 7. Используйте правильный инструмент**
Не пытайтесь прилагать усилие к маленьким инструментам или присоединениям для выполнения работы инструмента тяжелого назначения. Не используйте инструменты для непредназначенных целей; например, не используйте дисковую пилу для резки веток или корней деревьев.
- 8. Одевайтесь правильно**
Не одевайте свисающую одежду или украшения. Они могут попасть в движущиеся части. При работе на улице рекомендуется одевать резиновые перчатки и нескользящую обувь. Одевайте предохранительный головной убор для уборки длинных волос.
- 9. Используйте защитные очки и предохранительные приборы для слуха.**
Если работа по резке является пыльной, используйте также маску для лица или пылезащитную маску
- 10. Подсоедините пылевсасывающее оборудование**
Если имеются подсоединения устройств для всасывания и сбора пыли, убедитесь в том, что они подсоединены и используются правильно.
- 11. Не прилагайте усилие к шнуру**
Никогда не носите инструмент за шнур и не дергайте за него для отсоединения его из розетки. Держите шнур подальше от жарких мест, масла и острых краев.
- 12. Закрепите рабочее изделие**
Используйте зажимы или тиски для крепления рабочего изделия. Это является более безопасным, чем использование Вашей руки, и при этом освобождаются две руки для управления инструментом.
- 13. Не заходите слишком далеко**
Сохраняйте правильную стойку и баланс все время.
- 14. Осторожно обращайтесь с инструментами**
Держите инструменты острыми и чистыми для более лучшей и безопасной работы. Следуйте инструкциям для смазки и смены принадлежностей. Периодически проверяйте шнуры инструмента, и, если они повреждены, обращайтесь относительно ремонта в уполномоченный центр по техобслуживанию. Периодически проверяйте шнуры-удлинители и заменяйте, если они повреждены. Держите ручки сухими чистыми и свободными от масла или смазки.
- 15. Отсоединяйте инструменты**
Если не используется, перед техобслуживанием, и при смене принадлежностей, таких, как лезвия, режцы и резакки.
- 16. Убирайте регулировочные ключи и гаечные ключи**
Сформируйте привычку проверять, что регулировочные ключи и гаечные ключи убраны с инструмента перед его включением.

17. **Избегайте случайных запусков**
Не носите подсоединенный к сети инструмент с пальцем, находящемся на переключателе. Перед подсоединением инструмента к сети убедитесь, что переключатель находится в положении “выкл”.
18. **Шнуры-удлинители для использования на улице**
Когда инструмент используется на улице, используйте только шнуры-удлинители, предназначенные для использования на улице с указанием этого.
19. **Будьте бдительны**
Наблюдайте за тем, что Вы делаете. Используйте разумный подход. Не управляйте инструментом, если Вы устали.
20. **Проверяйте поврежденные части**
Перед дальнейшим использованием инструмента, предохранитель или другая часть должны быть тщательно проверены для определения того, что они будут функционировать правильно и выполнять предназначенную функцию. Проверьте на предмет совмещения движущихся частей, соединения движущихся частей, поломки частей, монтажа и других условий, которые могут повлиять на их функционирование. Предохранитель или другая часть должны быть правильно отремонтированы или заменены в уполномоченном центре по техобслуживанию, если только не указано другое в этой инструкции по эксплуатации. Дефектные переключатели должны быть заменены в уполномоченном центре по техобслуживанию. Не используйте инструмент, если невозможно его включение и выключение с помощью переключателя.
21. **Предостережение**
Использование любой другой принадлежности или присоединения, отличного от рекомендуемого в этой инструкции по эксплуатации или каталоге, может привести к опасности персональной травмы.
22. **Используйте для ремонта услуги специалиста**
Это электрическое оборудование соответствует относящимся к нему правилам безопасности. Ремонт электрического оборудования может проводиться только специалистами, в противном случае, он может вызвать существенную опасность для пользователя.
4. **Перед эксплуатацией внимательно проверьте лезвие на предмет трещин или повреждений. Немедленно замените треснувшее или поврежденное лезвие.**
5. **Используйте только фланцы, предназначенные для этого инструмента.**
6. **Будьте осторожны, чтобы не повредить шпиндель, фланцы (в особенности поверхность установки) или болт. Повреждение этих частей может привести к поломке лезвия.**
7. **Убедитесь в том, что поворотная основа зафиксирована правильно так, что она не двигается во время эксплуатации.**
8. **Для Вашей безопасности удалите стружки, маленькие куски и т.д. со стола перед эксплуатацией.**
9. **Избегайте обрезать гвозди. Перед эксплуатацией проверьте и удалите все гвозди из рабочего изделия.**
10. **Убедитесь в том, что фиксатор шпинделя высовожден перед включением переключателя.**
11. **Будьте уверены, что лезвие не контактирует с поворотной основой в самом низком положении.**
12. **Держите ручку крепко. Помните, что пила немного сдвигается вверх или вниз во время запуска и остановки.**
13. **Не выполняйте никакие операции свободной рукой. Следует надежно зафиксировать рабоче изделие на поворотной основе и направляющем щитке с помощью тисков во время выполнения всех операций. Никогда не используйте Вашу руку для фиксации рабочего изделия.**
14. **Держите руки подальше от лезвия пилы. Избегайте контакта с любым двигающимся по инерции лезвием. Это может вызвать тяжелую травму.**
15. **Никогда не располагайтесь вокруг лезвия пилы.**
16. **Перед включением переключателя убедитесь в том, что лезвие не контактирует с рабочим изделием.**
17. **Перед использованием инструмента на действительном рабочем изделии дайте ему немного поработать. Наблюдайте за вибрацией и колебаниями, которые могут указывать на плохую установку или плохо сбалансированное лезвие.**
18. **Перед выполнением резки подождите, пока лезвие не наберет полную скорость.**
19. **Если Вы заметите что-нибудь ненормальное, остановите эксплуатацию немедленно.**
20. **Не пытайтесь заблокировать пусковой механизм в положении ON (вкл).**
21. **Перед техобслуживанием или регулировкой инструмента выключите питание и подождите, пока лезвие остановится.**

ДОПОЛНИТЕЛЬНЫЕ ПРАВИЛА БЕЗОПАСНОСТИ

1. **Одевайте защитные приборы для глаз.**
2. **Не эксплуатируйте пилу без щитков, находящихся на местах.**
3. **Не используйте инструмент в присутствии возгораемых жидкостей или газов.**

22. Будьте внимательны все время, в особенности во время повторных монотонных операций. Не полагайтесь на обманчивое чувство безопасности. Лезвия являются очень непростительными.
23. Всегда используйте принадлежности, рекомендуемые в этой инструкции. Использование неправильных принадлежностей, таких, как абразивные диски может привести к травме.
24. Не повреждайте шнур. Никогда не тяните за шнур для его отсоединения из розетки. Держите шнур подальше от тепла, масла, воды и острых углов.
25. Не используйте пилу для резки материалов, отличных от алюминия, дерева или подобных материалов.
26. При распиливании присоедините пилу для составной отрезки к пылесобирающему устройству.
27. Выбирайте лезвия пилы в зависимости от материала, подлежащего резке.
28. Будьте осторожны во время прорезания.
29. Замените доску с пропилом, когда она изнашивается.

СОХРАНИТЕ ЭТИ ИНСТРУКЦИИ.

ИНСТРУКЦИЯ ПО ЭКСПЛУАТАЦИИ

Переноска инструмента (Рис. 1)

При переноске инструмента полностью опустите ручку и нажмите на стопорный штырь для фиксации ручки в самом нижнем положении. Зафиксируйте поворотную основу с помощью захвата. Затем возможна удобная переноска инструмента с помощью захвата для переноски.

ПРЕДУПРЕЖДЕНИЕ:

- Сначала убедитесь в том, что инструмент отсоединен от сети.
- Стопорный штырь предназначен только для переноски, а не для любых других операций по резке.

Установка вспомогательной пластины (Рис. 2 и 3)

Установите вспомогательную пластину, используя паз в основе инструмента, и зафиксируйте её с помощью завинчивания болта с шестигранной головкой.

Монтирование пилы на столе (Рис. 4)

Привинтите инструмент с помощью двух болтов на ровную и устойчивую поверхность, используя отверстия для болтов, находящиеся на основе инструмента. Это поможет предотвратить опрокидывание и возможную травму.

Удаление или установка лезвия пилы

Важно:

Следует всегда быть уверенным, что инструмент выключен и отсоединен от сети перед установкой или удалением лезвия.

Для удаления лезвия используйте торцевой гаечный ключ для отвинчивания болта с шестигранной головкой, удерживающего центральную крышку, повернув его более трех раз против часовой стрелки. Поднимите защитную крышку и центральную крышку. (Рис. 5)

Нажмите на фиксатор вала так, чтобы лезвие не могло вращаться, и используйте торцевой гаечный ключ для отвинчивания болта с шестигранной головкой по часовой стрелке. Затем удалите болт с шестигранной головкой, внешний фланец и лезвие. (Рис. 6)

Для установки лезвия смонтируйте его на шпindel, убедившись в том, что направление стрелки на поверхности лезвия совпадает с направлением стрелки на корпусе лезвия. (Рис. 7)

ПРЕДУПРЕЖДЕНИЕ:

- Для всех стран, отличных от европейских стран (Рис. 8)

Серебристое кольцо с внешним диаметром 25,4 мм установлено на шпindel на заводе. Черное кольцо с внешним диаметром 25 мм включено как стандартное оборудование. Перед установкой лезвия на шпindel, будьте уверены, что на шпindel установлено правильное кольцо для отверстия шпинделя лезвия, которое Вы намерены использовать.

- Для европейских стран (Рис. 8)

Кольцо с внешним диаметром 30 мм установлено на шпindel на заводе.

Установите фланец и болт с шестигранной головкой, а затем нежно завинтите болт с шестигранной головкой путем поворота против часовой стрелки во время нажатия на фиксатор вала. Затем завинтите болт с шестигранной головкой по часовой стрелке для фиксации центральной крышки. (Рис. 9)

ПРЕДУПРЕЖДЕНИЕ:

Для установки или удаления лезвия используйте только поставляемый торцевой гаечный ключ Makita. Невыполнение этого условия может привести в результате к слишком сильному завинчиванию или недостаточному завинчиванию болта с шестигранной головкой. Это может привести к травме.

Защитная крышка (Рис. 10)

При опускании ручки защитная крышка поднимается автоматически. Крышка возвращается в её первоначальное положение при завершении резки и поднимании ручки. НИКОГДА НЕ ПОВРЕЖДАЙТЕ И НЕ УДАЛЯЙТЕ ЗАЩИТНУЮ КРЫШКУ. В интересах Вашей личной безопасности всегда сохраняйте защитную крышку в хорошем состоянии. Любое неправильное функционирование защитной крышки должно быть немедленно исправлено. НИКОГДА НЕ ИСПОЛЬЗУЙТЕ ИНСТРУМЕНТ С ДЕФЕКТНОЙ ЗАЩИТНОЙ КРЫШКОЙ. Если прозрачная крышка загрязнится, либо на нее прилипнет пыль от пилы таким образом, что лезвие и/или рабочее изделие больше просто не видны, отсоедините пилу от сети питания и аккуратно почистите крышку с помощью влажной ткани. Не используйте растворители или любые очистители, основанные на бензине, для пластиковой крышки.

Мешок для пыли (Рис. 11 и 12)

Использование мешка для пыли делает операции по резке более чистыми и облегчает собирание пыли. Для присоединения мешка для пыли вставьте входное отверстие мешка сверху желоба для пыли. Когда мешок для пыли заполнен наполовину, удалите мешок для пыли из инструмента и вытащите застёжку. Выбросьте содержимое мешка для пыли, слегка похлопывая его, так чтобы удалить частицы, прилипшие к внутренним сторонам, что может препятствовать дальнейшему собиранию пыли.

Действия при переключении

ПРЕДУПРЕЖДЕНИЕ:

- Перед подсоединением инструмента всегда проверяйте, чтобы видеть, что пусковой механизм действует правильно и возвращается в положение "OFF" (выкл.) при высвобождении.
- Когда не используете инструмент, удалите кнопку выключения фиксации и храните её в надёжном месте. Это предотвратит эксплуатацию без разрешения.
- Не нажимайте сильно пусковой механизм без нажатия на кнопку выключения фиксации. Это может привести к повреждению переключателя.

Для всех стран, отличных от европейских стран (Рис. 13)

Кнопка выключения фиксации предназначена для предотвращения случайного нажатия пускового механизма. Для запуска инструмента нажмите кнопку выключения фиксации и нажмите пусковой механизм. Для остановки высвободите пусковой механизм.

Для европейских стран (Рис. 14)

Кнопка выключения фиксации предназначена для предотвращения случайного нажатия пускового механизма. Для запуска инструмента нажмите рычаг влево, нажмите кнопку выключения фиксации, а затем нажмите пусковой механизм. Для остановки высвободите пусковой механизм.

Доска с пропилом (Рис. 15)

Этот инструмент снабжен доской с пропилом в поворотной основе. Если канавка пропила еще не была вырезана в доске с пропилом на заводе, Вы должны вырезать канавку перед действительным использованием инструмента для резки рабочего изделия. Включите инструмент и аккуратно опустите лезвие для прорезания канавки в доске с пропилом.

Дополнительный щиток (Рис. 16 и 17)

Этот инструмент снабжен дополнительным щитком, который должен первоначально быть расположен, как показано на Рис. 16. Однако при выполнении левых наклонных разрезов установите его в левое положение, как показано на Рис. 17.

Поддержание максимальной режущей способности (Рис. 18 и 19)

Отсоедините инструмент от сети перед попыткой выполнения любых регулировок. Этот инструмент подрегулирован на заводе для обеспечения макс. режущей способности для лезвия пилы 260 мм. Если диаметр лезвия уменьшился вследствие заточки, подрегулируйте болт регулировки глубины, повернув его с помощью торцевого гаечного ключа. Лезвие пилы опускается путем поворота болта регулировки глубины против часовой стрелки и поднимается путем его поворота по часовой стрелке. Подрегулируйте так, чтобы ручка находилась в самом нижнем положении, при этом будет иметься расстояние около 135 мм от передней панели направляющего щитка до точки, где передний край лезвия входит в пропил. С инструментом, отсоединенным от сети, поверните лезвие рукой во время удерживания ручки вниз до упора. Убедитесь в том, что лезвие не контактирует с любой частью нижней основы, когда ручка полностью опущена.

Позиционирование для регулировки угла резки (Рис. 20)

Отвинтите захват, повернув его против часовой стрелки. Поверните поворотную основу во время нажатия вниз пружинной защёлки. Когда Вы передвинули захват в положение, в котором указатель указывает желаемый угол на шкале отрезки, надёжно завинтите захват по часовой стрелке.

ПРЕДУПРЕЖДЕНИЕ:

При повороте поворотной основы следует полностью подтянуть ручку.

Позиционирование для регулировки угла наклона (Рис. 21 и 22)

Лезвие пилы наклоняется до 45° влево только тогда, когда дополнительный щиток установлен в левое положение, как показано на **Рис. 17**. Для регулировки угла наклона отвинтите рычаг на задней панели инструмента. Наклоните лезвие влево так, чтоб указатель указывал желаемый угол на наклонной шкале. Затем крепко завинтите рычаг для фиксации ручки.

ПРЕДУПРЕЖДЕНИЕ:

При наклоне лезвия пилы следует полностью поднять ручку.

Фиксация рабочего изделия

ПРЕДУПРЕЖДЕНИЕ:

Правильная и крепкая фиксация рабочего изделия в тисках является очень важной. Невыполнение этого условия может привести к повреждению инструмента и/или поломке рабочего изделия. **МОЖЕТ ТАКЖЕ СЛУЧИТЬСЯ ПЕРСОНАЛЬНАЯ ТРАВМА**. К тому же, после операции резки НЕ поднимайте лезвие до тех пор, пока оно полностью не остановится.

1. Вертикальные тиски (Рис. 23 и 27)

Установка вертикальных тисков возможна на направляющем щитке или сборке держателей (дополнительной принадлежности). Вставьте анкер тисков в отверстие в направляющем щитке или сборке держателей и завинтите винт для фиксации анкера тисков. Расположите ручку тисков в соответствии с формой рабочего изделия и зафиксируйте руку тисков, завинтив винт. Прижмите рабочее изделие плоско к направляющему щитку и поворотной основе. Расположите рабочее изделие в желаемой позиции резки и зафиксируйте его крепко, завинтив зажимной винт.

ПРЕДУПРЕЖДЕНИЕ:

Следует надежно зафиксировать рабочее изделие на поворотной основе и направляющем щитке с помощью тисков во время выполнения всех операций.

Если какая-либо часть контактирует с тисками, переместите руку тисков в другое положение. Прижмите рабочее изделие плоско к направляющему щитку и поворотной основе. Расположите рабочее изделие под желаемым углом резки и зафиксируйте его крепко, завинтив зажимной винт тисков.

ПРЕДУПРЕЖДЕНИЕ:

При резке длинных рабочих изделий используйте опоры, которые являются такими же высокими, как уровень верхней поверхности поворотной основы. (**Рис. 24**)

2. Горизонтальные тиски (дополнительная принадлежность) (Рис. 25 и 26)

Установка горизонтальных тисков возможна на левой или на правой стороне основы. При выполнении резки под углом 15° или более установите горизонтальные тиски на стороне, противоположной направлению, в котором нужно повернуть поворотный столик. При повороте регулятора на тисках против часовой стрелки, винт высвобождается, и возможно быстрое передвижение вала тисков внутрь и наружу. При повороте регулятора по часовой стрелке винт остается зафиксированным. Для захвата рабочих изделий аккуратно поверните регулятор по часовой стрелке до тех пор, пока выступ не достигнет своего наивысшего положения, затем надежно закрепите. Если регулятор поворачивается с силой или вынимается при его повороте по часовой стрелке, выступ может остановиться под углом. В этом случае, поверните регулятор снова против часовой стрелки до высвобождения винта, перед его аккуратным повторным поворотом по часовой стрелке.

3. Держатели и сборка держателей (дополнительная принадлежность)

Установка держателей и сборки держателей возможна на любой стороне для удобства горизонтальной опоры рабочих изделий. Установите их, как показано на **рис. 27**. Затем крепко завинтите винты для фиксации держателей и сборки держателей. (**Рис. 27**) При резке длинных изделий используйте сборку анкеров-держателей (дополнительная принадлежность). Она состоит из двух сборок держателей и двух анкеров 12. (**Рис. 28**)

ПРЕДУПРЕЖДЕНИЕ:

Всегда поддерживайте уровень длинных изделий вровень с верхней поверхностью основы для аккуратной резки и для предотвращения опасной потери управления инструментом.

Эксплуатация

ПРЕДУПРЕЖДЕНИЕ:

- Перед использованием следует высвободить ручку из нижнего положения, потянув за штырь стопора.
- Перед включением переключателя следует убедиться, что лезвие не контактирует с рабочим изделием.
- При выполнении резки не прикладывайте излишнее давление к ручке. Слишком большое давление может привести к перегрузке двигателя и уменьшению эффективности резки.

- Для выполнения резки аккуратно нажимайте на ручку. Если ручка нажимается вниз с силой, или если прикладывается горизонтальная сила, лезвие будет вибрировать и оставлять значок (значок лезвия) в рабочем изделии, и это будет влиять на точность резки.

При выполнении резки с помощью этого инструмента толщина лезвия также вырезается из рабочего изделия. Поэтому Ваша линия резки должна располагаться с левой или с правой стороны канавки в доске с пропилом. Включите инструмент и подождите, пока лезвие не наберет полную скорость перед аккуратным опусканием его в разрез. Когда лезвие проконтактирует с рабочим изделием, постепенно опустите ручку вниз для выполнения резки. Когда резка завершена, выключите инструмент и **ПОДОЖДИТЕ ДО ТЕХ ПОР, ПОКА ЛЕЗВИЕ ПОЛНОСТЬЮ НЕ ОСТАНОВИТСЯ** перед возвратом лезвия в полностью поднятое положение. Тонкий обрезанный кусок материала может проконтактировать с движущимся по инерции лезвием и может быть выброшен, вызвав опасную ситуацию. (Рис. 29)

1. Отрезка

Обращайтесь к предварительно описанному параграфу “Позиционирование для регулировки угла отрезки”:

2. Наклонная резка (Рис. 30)

- Возможно выполнение наклонной резки под углом 0° – 45° влево.
- Установите дополнительный щиток в левое положение, как показано на **рис. 17**. Отвинтите рычаг и наклоните лезвие пилы для установки угла наклона. Следует крепко завинтить рычаг повторно для надежной фиксации выбранного угла резки. Зафиксируйте рабочее изделие с помощью тисков. Включите инструмент и подождите, пока лезвие не наберет полную скорость. Затем аккуратно опустите ручку полностью в нижнее положение во время прикладывания давления параллельно лезвию. Когда резка завершена, выключите инструмент и **ПОДОЖДИТЕ ДО ТЕХ ПОР, ПОКА ЛЕЗВИЕ ПОЛНОСТЬЮ НЕ ОСТАНОВИТСЯ** перед возвратом лезвия в полностью поднятое положение.

ПРЕДУПРЕЖДЕНИЕ:

- При выполнении наклонной резки с рабочем изделием, зафиксированном с левой стороны поворотной основы, будут созданы условия, когда отрезанный кусок будет сложен на лезвие. Если лезвие поднимается при еще вращающемся лезвии, этот кусок может быть захвачен лезвием, приведя к разбрасыванию кусочков вокруг, что представляет опасность. Следует аккуратно поднять лезвие только после его полной остановки.

- При нажатии на ручку вниз приложите давление параллельно лезвию. При прикладывании перпендикулярной сил к поворотной основе или изменении направления давления во время резки может пострадать точность резки.
- При выполнении наклонной резки всегда устанавливайте дополнительный щиток в левое положение, как показано на рис. **Fig. 17**

3. Составная резка

Выполнение составной резки возможно под углом, показанном в нижеприведенной таблице.

Угол наклона	Угол отрезки
45°	Влево и вправо 0° – 45°

При выполнении составной резки обращайтесь к объяснениям “Отрезка” и “Наклонная резка”.

4. Резка алюминиевого профиля (Рис. 31)

При фиксации алюминиевого профиля используйте разделительные блоки или обрезанные куски, как показано на **Рис. 31** для предотвращения деформации алюминия. Используйте смазку для металлорежущих инструментов при резке алюминиевого профиля для предотвращения наслоения алюминиевого материала на лезвие.

ПРЕДУПРЕЖДЕНИЕ:

Никогда не пытайтесь резать толстые или круглые алюминиевые профили. Толстые алюминиевые профили могут выпасть во время эксплуатации, а круглые алюминиевые профили невозможно надежно зафиксировать с помощью этого инструмента.

5. Деревянное покрытие (Рис. 32)

Использование деревянного покрытия помогает обеспечить свободную от расколов резку рабочих изделий, Присоедините деревянное покрытие к направляющему щитку, используя отверстия в направляющем щитке.

ПРЕДУПРЕЖДЕНИЕ:

- В качестве деревянного покрытия используйте ровное дерево одинаковой толщины.
- Относительно размеров для предлагаемого деревянного покрытия см. **рис. 32**.

6. Резка одинаковой длины (Рис. 33)

При резке нескольких кусков заготовок одинаковой длины в диапазоне от 240 мм до 400 мм использование плиты установки (дополнительной принадлежности) будет обеспечивать более эффективную эксплуатацию. Установите плиту установки на держатель, как показано на **Рис. 33**. Совместите линию резки на Вашем рабочем изделии с правой или левой стороной канавки в доске с пропилом, и удерживая рабочее изделие от перемещения, переместите плиту установки вровень с концом рабочего изделия. Затем зафиксируйте плиту установки с помощью винта. Если плита установки не используется, отвинтите винт и поверните плиту установки с пути.

УХОД

ПРЕДУПРЕЖДЕНИЕ:

Перед выполнением любой работы над инструментом убедитесь в том, что инструмент выключен и отсоединен от сети.

Регулировка угла резки

Этот инструмент аккуратно подрегулирован и совмещен на заводе, но неаккуратное обращение может повлиять на совмещение. Если Ваш инструмент совмещен неправильно, выполните следующее:

1) Угол отрезки (Рис. 34 и 35)

Отвинтите захват и установите поворотную основу на нуль градусов, повернув поворотную основу. Надежно завинтите захват и отвинтите болты с шестигранной головкой на направляющем щитке. Совместите сторону лезвия с передом направляющего щитка, используя треугольную линейку, поверочный угольник и т.д. при перемещении правой стороны. Затем надежно завинтите болты с шестигранной головкой на направляющем щитке в порядке, указанном на **Рис. 35**.

2) Угол наклона

i) Угол наклона 0°

Отвинтите рычаг сзади инструмента. Отвинтите шестигранную гайку и поверните болт с шестигранной головкой (A) на два или три оборота по часовой стрелке так, чтобы лезвие наклонилось вправо. (**Рис. 36**)

Полностью опустите ручку и совместите сторону лезвия с верхней поверхностью поворотной основы, используя треугольную линейку, поверочный угольник и т.д., повернув болт с шестигранной головкой (A) против часовой стрелки. Затем завинтите шестигранную гайку для фиксации болта с шестигранной головкой (A). (**Рис. 37**)

Убедитесь в том, что указатель на руке указывает 0° на наклонной шкале на держателе руки. Если указатель не указывает 0°, отвинтите винт, фиксирующий указатель, и подрегулируйте указатель. (**Рис. 38**)

ii) Угол наклона 45°

Подрегулируйте угол наклона 45° только после выполнения регулировки угла наклона 0°. Для регулировки угла наклона 45° отвинтите рычаг и наклоните лезвие пилы полностью влево. Убедитесь в том, что указатель на руке указывает 45° на наклонной шкале на держателе руки. Если указатель не указывает 45°, поверните болт с шестигранной головкой (B) на стороне руки до тех пор, пока указатель не укажет 45°. (**Рис. 38**)

Замена угольных щеток (Рис. 39 и 40)

Замените угольные щетки, когда они изнаются до ограничительной метки. Обе одинаковые угольные щетки следует заменять одновременно.

Для поддержания безопасности и долговечности изделия, ремонт, уход и регулировка должны проводиться в уполномоченном центре по техобслуживанию Makita.

Шум и вибрация модели LS1040

Типичные А-взвешенные уровни шума составляют

уровень звукового давления 93 дБ (А).

уровень звуковой мощности 106 дБ (А).

– Надевайте защиту для слуха. –

Типичное взвешенное значение квадратного корня ускорения составляет не более чем 2,5 м/с².

ЕС ДЕКЛАРАЦИЯ СООТВЕТСТВИЯ

Подписавшийся ниже Ясухико Канзаки, уполномоченный корпорацией Makita, 3-11-8 Sumiyoshi-Cho, Anjo, Aichi, 446-8502 Japan, декларирует, что это изделие

(Серийный №: серия производства)

изготовленное корпорацией Makita в Китайской Народной Республике находится в соответствии со следующими стандартами и документами по стандартизации,

EN61029, EN55014, EN61000

в соответствии со сборником директив 73/23/ЕЕС, 89/336/ЕЕС и 98/37/ЕС.

Yasuhiko Kanzaki **CE97**



Директор

MAKITA INTERNATIONAL EUROPE LTD.

Michigan Drive, Tongwell, Milton Keynes, Bucks
MK15 8JD, ENGLAND

Makita Corporation
Anjo, Aichi, Japan

884085A204